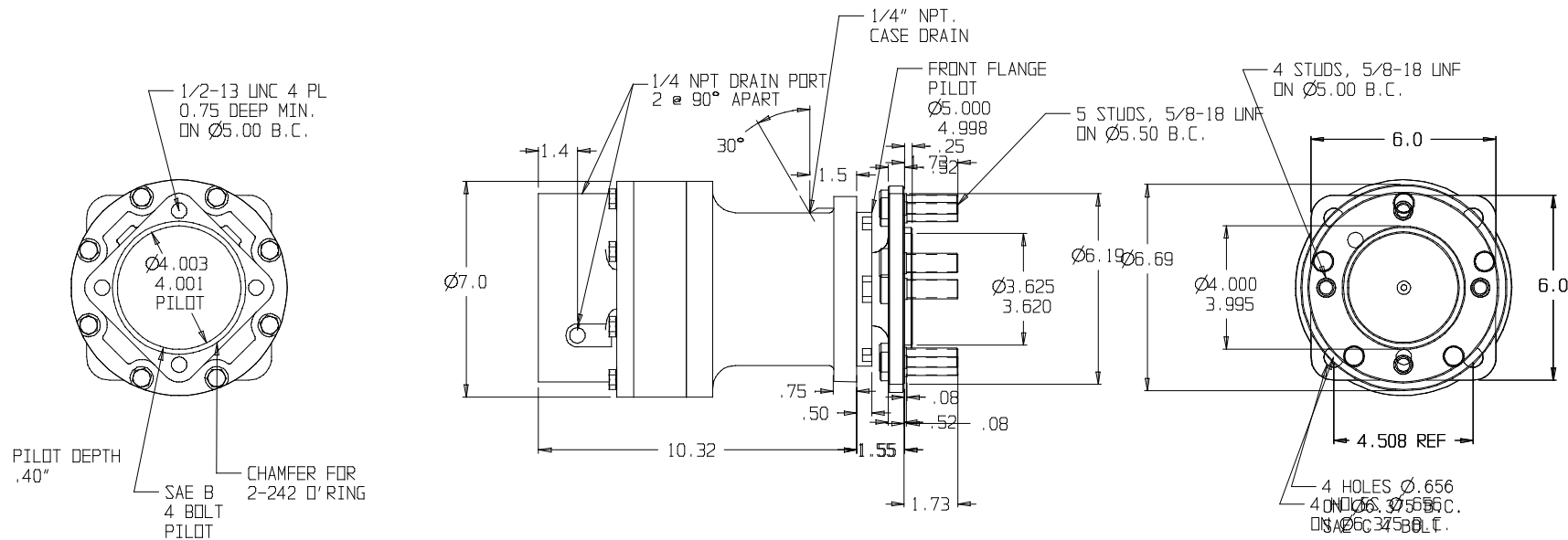


NOT A RECOMMENDED HECO CONFIGURATION

WWW.HECOGEAR.COM



SLIN GEARS- SUGGESTED MOTOR SHAFT LENGTHS

SLIN GEAR	SHAFT TYPE	MIN. (IN.)	MAX. (IN.)
16B	7/8" 13T SPLINE	1.40	1.75
16C	1" 15T SPLINE	1.70	1.95
16D	1" ST. KEYED	1.80	2.10
16E	C/L 2000 BEARINGLESS	N/A	N/A
16F	C/L 4000 BEARINGLESS	N/A	N/A
16H	1 1/4" ST. KEYED	2.05	2.40
16I	1 1/4" 14T SPLINE	2.00	2.32
16M	1" SAE 6B SPLINE	1.95	2.30

THIS DRAWING CONTAINS PROPRIETARY AND CONFIDENTIAL INFORMATION OF HECO GEAR, INC. IN ACCEPTING THIS DRAWING, (CUSTOMER) ACKNOWLEDGES THE VALUE OF THE INTELLECTUAL PROPERTY CONTAINED HEREIN AND AGREES THAT THE INFORMATION IN THIS DRAWING IS THE PROPERTY OF AND PROPRIETARY TO HECO GEAR, INC. AND MAY NOT BE REPRODUCED WITHOUT THE EXPRESS WRITTEN PERMISSION OF HECO GEAR, INC. ALL RIGHTS RESERVED.



230 DEL MAR STREET
WEST SACRAMENTO, CA 95605
(916)-372-5411 FAX (916)-373-8822

©COPYRIGHT 2004, HECO GEAR, INC.

REV	DESCRIPTION	REVISIONS	DATE	APPROVED
-	---	---	---	---
-	---	---	---	---
-	---	---	---	---

TITLE		MODEL 16 ASSEMBLY	
DESCRIPTION		HECO 16 MODEL CODE: 16FF2205	
SIZE	DRAWN BY:	ENG NO.	REV
D	KSC		-
SCALE: 1:1 (NOT SCALE)		DATE: 04/19/01	SHEET 1 OF 1