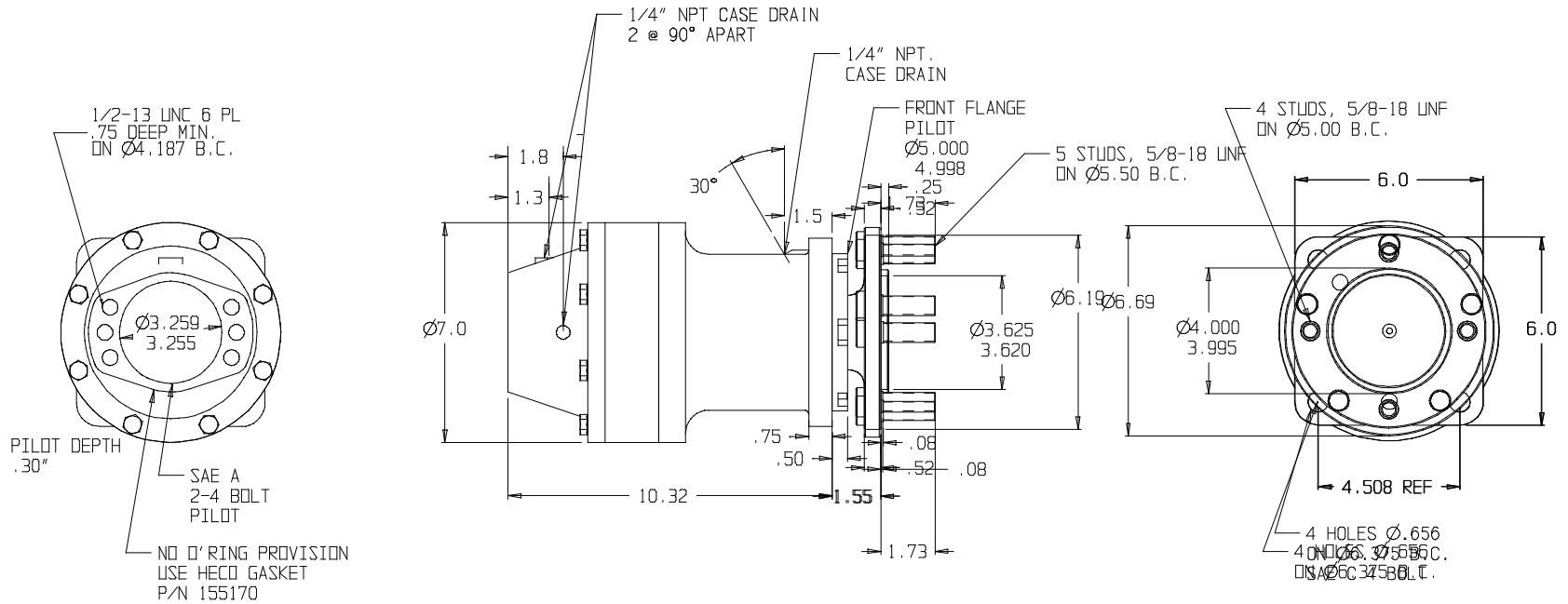


NOT A RECOMMENDED HECO CONFIGURATION

WWW.HECOGEAR.COM



SUN GEARS- SUGGESTED MOTOR SHAFT LENGTHS

SUN GEAR	SHAFT TYPE	MIN. (IN.)	MAX. (IN.)
16B	7/8" 13T SPLINE	1.40	1.75
16C	1" 15T SPLINE	1.70	1.95
16D	1" ST. KEYED	1.80	2.10
16E	C/L 2000 BEARINGLESS	N/A	N/A
16F	C/L 4000 BEARINGLESS	N/A	N/A
16H	1 1/4" ST. KEYED	2.05	2.40
16I	1 1/4" 14T SPLINE	2.00	2.32
16M	1" SAE 6B SPLINE	1.95	2.30

©COPYRIGHT 2004, HECO GEAR, INC.

REV	DESCRIPTION	DATE	APPROVED
-	---	--	--
-	---	--	--
-	---	--	--

THIS DRAWING CONTAINS PROPRIETARY AND CONFIDENTIAL INFORMATION OF HECO GEAR, INC. IN ACCEPTING THIS DRAWING, (CUSTOMER) ACKNOWLEDGES THE VALUE OF THE INTELLECTUAL PROPERTY CONTAINED HEREIN AND AGREES THAT THE INFORMATION IN THIS DRAWING IS THE PROPERTY OF AND PROPRIETARY TO HECO GEAR, INC. AND MAY NOT BE REPRODUCED WITHOUT THE EXPRESS WRITTEN PERMISSION OF HECO GEAR, INC. ALL RIGHTS RESERVED.



REVISIONS			
SIZE	DRAWN BY:	DWG NO.	REV
D	KSC	-----	--
SCALE:	DATE:	SHEET	1 OF 1
100 NOT SCALE	04/19/01		

TITLE
MODEL 16 ASSEMBLY
DESCRIPTION
HECO 16 MODEL CODE:
16FF2245