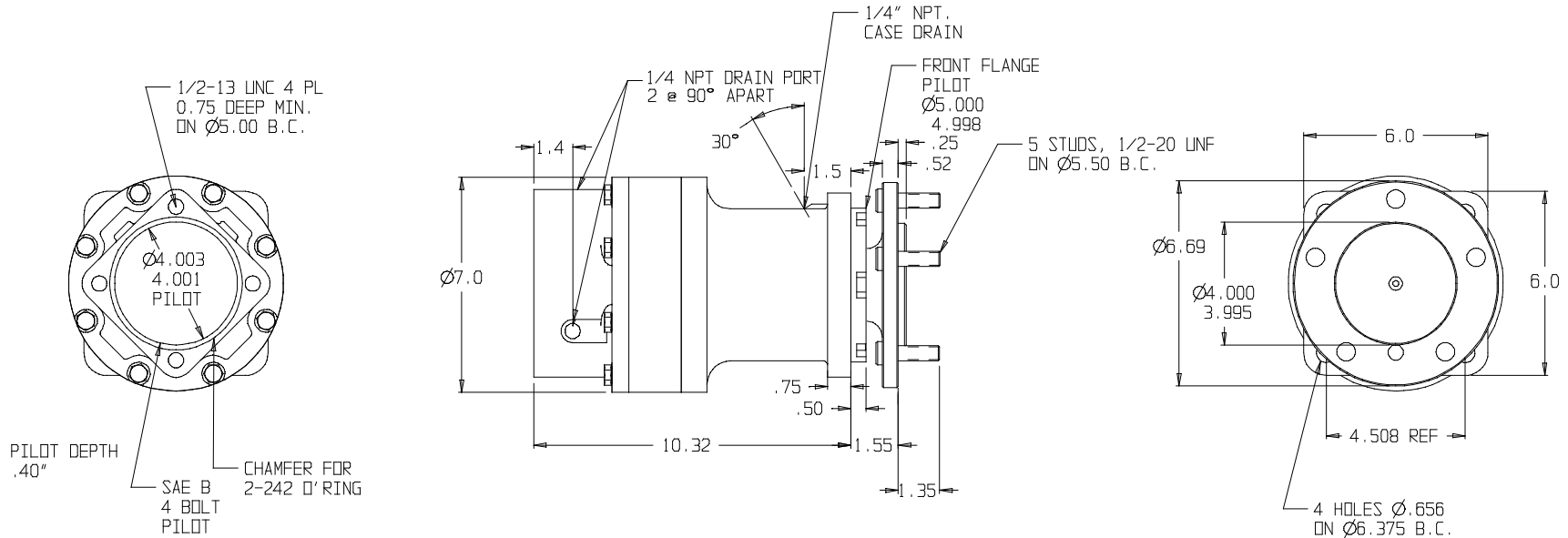


NOT A RECOMMENDED HECO CONFIGURATION

WWW.HECOGEAR.COM



SUN GEARS- SUGGESTED MOTOR SHAFT LENGTHS

SUN GEAR	SHAFT TYPE	MIN. (IN.)	MAX. (IN.)
16B	7/8" 13T SPLINE	1.40	1.75
16C	1" 15T SPLINE	1.70	1.95
16D	1" ST. KEYED	1.80	2.10
16E	C/L 2000 BEARINGLESS	N/A	N/A
16F	C/L 4000 BEARINGLESS	N/A	N/A
16H	1 1/4" ST. KEYED	2.05	2.40
16I	1 1/4" 14T SPLINE	2.00	2.32
16M	1" SAE 6B SPLINE	1.95	2.30

THIS DRAWING CONTAINS PROPRIETARY AND CONFIDENTIAL INFORMATION OF HECO GEAR, INC. IN ACCEPTING THIS DRAWING, (CUSTOMER) ACKNOWLEDGES THE VALUE OF THE INTELLECTUAL PROPERTY CONTAINED HEREIN AND AGREES THAT THE INFORMATION IN THIS DRAWING IS THE PROPERTY OF AND PROPRIETARY TO HECO GEAR, INC. AND MAY NOT BE REPRODUCED WITHOUT THE EXPRESS WRITTEN PERMISSION OF HECO GEAR, INC. ALL RIGHTS RESERVED.



2359 BEL MONE STREET
WEST SACRAMENTO, CA 95601
(916)-372-5901 FAX (916)-373-0852

©COPYRIGHT 2004, HECO GEAR, INC.

REV	DESCRIPTION	DATE	APPROVED
-	---	--	--
-	---	--	--
-	---	--	--

TITLE MODEL 16 ASSEMBLY		REV	
DESCRIPTION HECO 16 MODEL CODE: 16FF505		DATE	
SIZE D	DWG NO. KSC	DATE 04/18/01	SHEET 1 OF 1