

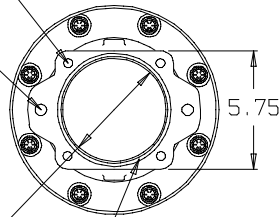
1/2-13 UNC, 4 PLACES
1.10 DEEP MIN
ON 6.375 DIA. B.C.

5/8-11 UNC, 2 PLACES
1.10 DEEP MIN
ON 7.125 DIA. B.C.

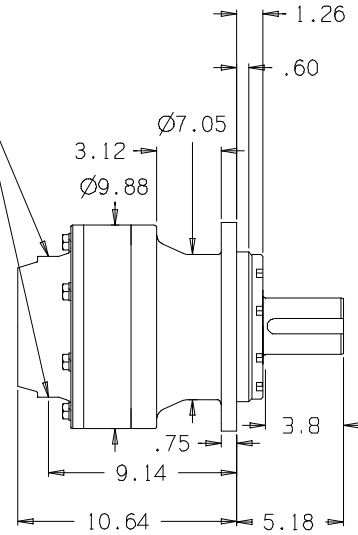
PILOT DEPTH
0.55"

PILOT
Ø5.003
5.001

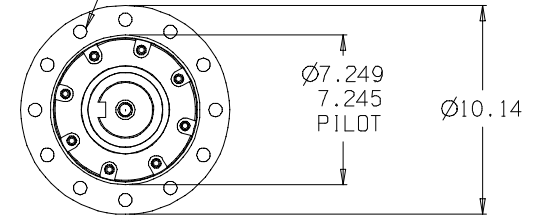
O'RING GROOVE
SIZED FOR
2-252 O'RING



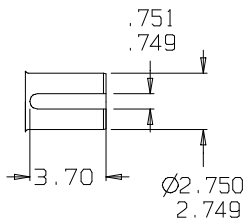
3/8 NPT CASE DRAIN
2 @ 180 DEG APART



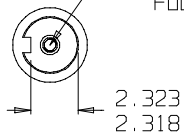
THRU HOLE
Ø.645/.655
12 HOLES EQ. SPACED
ON Ø8.750 B.C.



OUTPUT SHAFT DETAIL



5/8-11 UNC
1.750 DEEP MIN
FULL THREAD



SUN GEARS- SUGGESTED MOTOR SHAFT LENGTHS

SUN GEAR	SHAFT TYPE	MIN. (IN.)	MAX. (IN.)
20F	C/L 4000 BEARINGLESS	N/A	N/A
20G	C/L 6000 BEARINGLESS	N/A	N/A
20I	1 1/4" 14T SPLINE	1.97	2.32
-	-	-	-

©COPYRIGHT 2004, HECO GEAR, INC.

REV	DESCRIPTION	DATE	APPROVED
-	-	-	-
-	-	-	-
-	-	-	-
-	-	-	-
-	-	-	-

THIS DRAWING CONTAINS PROPRIETARY AND CONFIDENTIAL INFORMATION OF HECO GEAR, INC. IN ACCEPTING THIS DRAWING, (CUSTOMER) ACKNOWLEDGES THE VALUE OF THE INTELLECTUAL PROPERTY CONTAINED HEREIN AND AGREES THAT THE INFORMATION IN THIS DRAWING IS THE PROPERTY OF AND PROPRIETARY TO HECO GEAR, INC. AND MAY NOT BE REPRODUCED WITHOUT THE EXPRESS WRITTEN PERMISSION OF HECO GEAR, INC. ALL RIGHTS RESERVED.



220 DEL MONTE STREET
WEST SACRAMENTO, CA 95691
916-332-5411 FAX 916-333-0882

TITLE	MODEL 25 ASSEMBLY
DESCRIPTION	HECO 20 MODEL CODE:
	25AF1 66*
SIZE	D
DRAWN BY	KSC
ENG NO.	CERTIFIED 25 MODEL
SCALE	DO NOT SCALE
DATE	02/20/04
SHEET	1 OF 1

* RATIO DOES NOT CHANGE INSTALLATION DIMENSIONS