

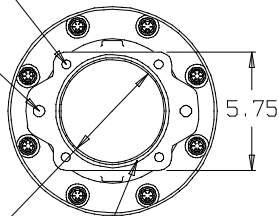
1/2-13 UNC, 4 PLACES
1.10 DEEP MIN
ON 6.375 DIA. B.C.

5/8-11 UNC, 2 PLACES
1.10 DEEP MIN
ON 7.125 DIA. B.C.

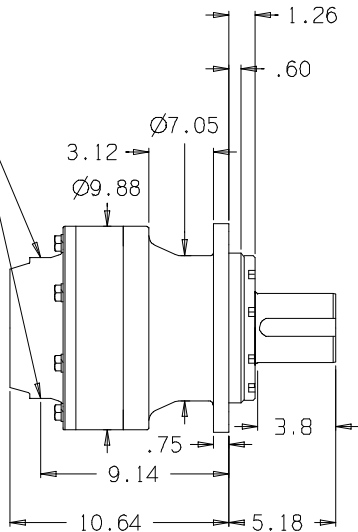
PILOT DEPTH
0.55"

PILOT
Ø5.003
5.001

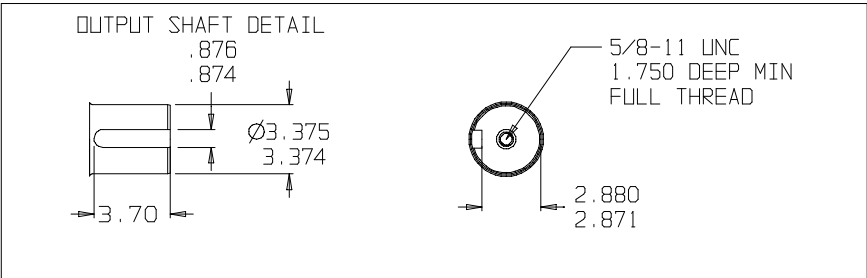
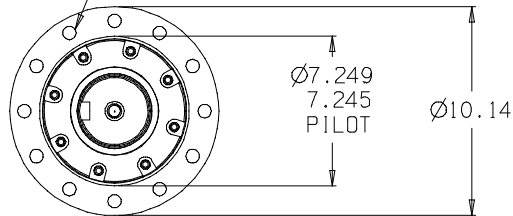
O'RING GROOVE
SIZED FOR
2-252 O'RING



3/8 NPT CASE DRAIN
2 @ 180 DEG APART



THRU HOLE
Ø.645/.655
12 HOLES EQ. SPACED
ON Ø8.750 B.C.



SUN GEARS- SUGGESTED MOTOR SHAFT LENGTHS

| SUN GEAR | SHAFT TYPE | MIN. (IN.) | MAX. (IN.) |
|----------|----------------------|------------|------------|
| 20F | C/L 4000 BEARINGLESS | N/A | N/A |
| 20G | C/L 6000 BEARINGLESS | N/A | N/A |
| 20I | 1 1/4" 14T SPLINE | 1.97 | 2.32 |
| - | - | - | - |

©COPYRIGHT 2004, HECO GEAR, INC.

| REV | DESCRIPTION | DATE | APPROVED |
|-----|-------------|------|----------|
| - | - | - | - |
| - | - | - | - |
| - | - | - | - |
| - | - | - | - |
| - | - | - | - |

THIS DRAWING CONTAINS PROPRIETARY AND CONFIDENTIAL INFORMATION OF HECO GEAR, INC. IN ACCEPTING THIS DRAWING, (CUSTOMER) ACKNOWLEDGES THE VALUE OF THE INTELLECTUAL PROPERTY CONTAINED HEREIN AND AGREES THAT THE INFORMATION IN THIS DRAWING IS THE PROPERTY OF AND PROPRIETARY TO HECO GEAR, INC. AND MAY NOT BE REPRODUCED WITHOUT THE EXPRESS WRITTEN PERMISSION OF HECO GEAR, INC. ALL RIGHTS RESERVED.



| | | | |
|---|-----------------|-------------------------------|-----------------|
| TITLE MODEL 25 ASSEMBLY | | REV - | |
| DESCRIPTION HECO 20 MODEL CODE: 25AF1166* | | ENG NO. CERTIFIED 25 MODEL | |
| SIZE D | DRAWN BY KSC | DATE 02/20/04 | SHEET 1 OF 1 |

* RATIO DOES NOT CHANGE INSTALLATION DIMENSIONS