

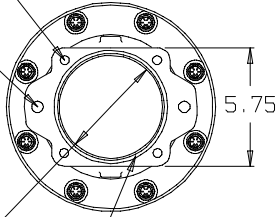
1/2-13 UNC, 4 PLACES
1.10 DEEP MIN
ON 6.375 DIA. B.C.

5/8-11 UNC, 2 PLACES
1.10 DEEP MIN
ON 7.125 DIA. B.C.

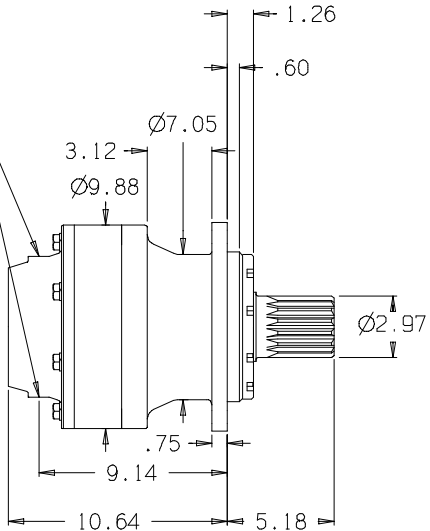
PILOT DEPTH
0.55"

PILOT
Ø5.003
5.001

O'RING GROOVE
SIZED FOR
2-252 O'RING

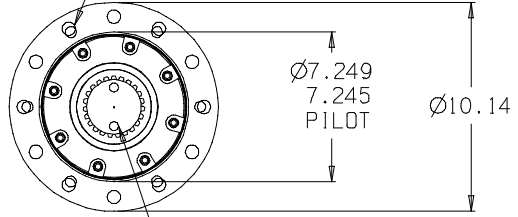


3/8 NPT CASE DRAIN
2 @ 180 DEG APART



THRU HOLE
Ø.645/.655
12 HOLES EQ. SPACED
ON Ø8.750 B.C.

1/2-20 UNF, 2 PL.
1.10 DEEP MIN.
ON Ø1.875 B.C.



SPLINE DATA

NO. TEETH	23
PITCH	8/16
P.D.	2.875 $\text{⊕} \text{A} \text{ } .002$
PRESSURE ANGLE	30°
TOOTH THKNS	MAX. EFF. .1947 (4.945) MAX. ACT. .1927 (4.895) MIN. ACT. .1913 (4.860)
PIN DIA.	.2400 (6.10)
MEAS. OVER TWO PINS	3.2340 (82.144) 3.2318 (82.09)
TYPE OF FIT	FLAT ROOT SIDE FIT
MINOR DIA.	2.650 (67.31) 2.632 (66.85)
TIF DIA.	2.7442 (69.703)

SUN GEAR	SHAFT TYPE	MIN. (IN.)	MAX. (IN.)
20F	C/L 4000 BEARINGLESS	N/A	N/A
20G	C/L 6000 BEARINGLESS	N/A	N/A
20I	1 1/4" 14T SPLINE	1.97	2.32
-	-	-	-

©COPYRIGHT 2004, HECO GEAR, INC.

THIS DRAWING CONTAINS PROPRIETARY AND CONFIDENTIAL INFORMATION OF HECO GEAR, INC. IN ACCEPTING THIS DRAWING, (CUSTOMER) ACKNOWLEDGES THE VALUE OF THE INTELLECTUAL PROPERTY CONTAINED HEREIN AND AGREES THAT THE INFORMATION IN THIS DRAWING IS THE PROPERTY OF AND PROPRIETARY TO HECO GEAR, INC. AND MAY NOT BE REPRODUCED WITHOUT THE EXPRESS WRITTEN PERMISSION OF HECO GEAR, INC. ALL RIGHTS RESERVED.



2300 DEL MONTE STREET
WEST SACRAMENTO, CA 95801
(916)-372-5411 FAX (916)-373-0502

TITLE	MODEL 25 ASSEMBLY
DESCRIPTION	HECO 20 MODEL CODE: 25AF4 66*
SIZE	DRAWN BY: KSC
SCALE:	DO NOT SCALE
DWG NO.	CERTIFIED 25 MODEL
DATE:	02/20/04
SHEET	1 OF 1

* RATIO DOES NOT CHANGE INSTALLATION DIMENSIONS