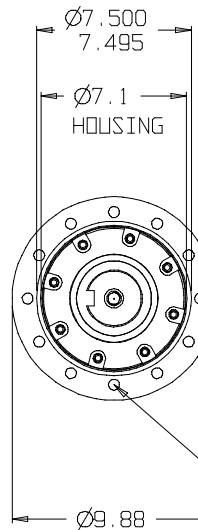
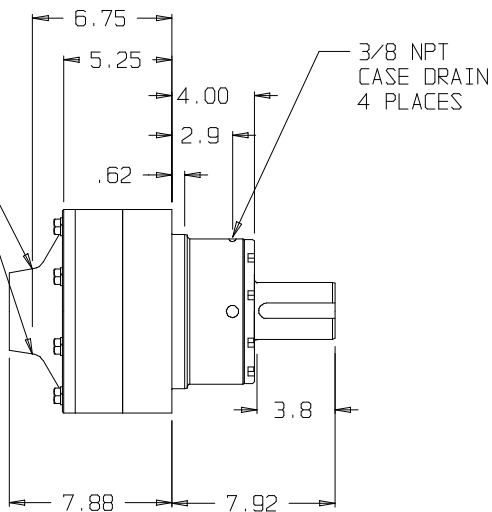


NO O-RING PROVISION
USE HECO GASKET
P/N 155170

3/8 NPT CASE DRAIN
2 @ 180 DEG APART

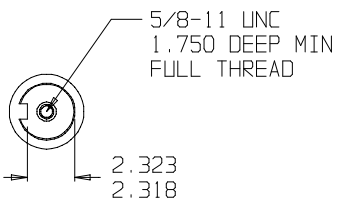
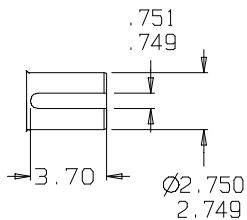
SAE A
4 BOLT
PILOT
PILOT DEPTH
0.35"
PILOT
Ø3.259
3.255

1/2-13 UNC 4 PL
.75 DEEP MIN.
DN 4.187 DIA. B.C.



.625-11 UNC
1.4 DEEP
DN 8.375 DIA. B.C.
12 PLACES EQ. SPACED

OUTPUT SHAFT DETAIL



SUN GEARS- SUGGESTED MOTOR SHAFT LENGTHS			
SUN GEAR	SHAFT TYPE	MIN. (IN.)	MAX. (IN.)
20F	C/L 4000 BEARINGLESS	N/A	N/A
20G	C/L 6000 BEARINGLESS	N/A	N/A
20I	1 1/4" 14T SPLINE	1.97	2.32
-	-	-	-

©COPYRIGHT 2004, HECO GEAR, INC.

REV	DESCRIPTION	DATE	APPROVED
-	-	-	-
-	-	-	-
-	-	-	-
-	-	-	-
-	-	-	-

THIS DRAWING CONTAINS PROPRIETARY AND CONFIDENTIAL INFORMATION OF HECO GEAR, INC. IN ACCEPTING THIS DRAWING, (CUSTOMER) ACKNOWLEDGES THE VALUE OF THE INTELLECTUAL PROPERTY CONTAINED HEREIN AND AGREES THAT THE INFORMATION IN THIS DRAWING IS THE PROPERTY OF AND PROPRIETARY TO HECO GEAR, INC. AND MAY NOT BE REPRODUCED WITHOUT THE EXPRESS WRITTEN PERMISSION OF HECO GEAR, INC. ALL RIGHTS RESERVED.



TITLE	MODEL 25 ASSEMBLY
DESCRIPTION	HECO 20 MODEL CODE: 25CF1 26*
SIZE	0
DRAWN BY:	KSC
ENG NO.	CERTIFIED 25 MODEL
SCALE:	1:1 NOT SCALE
DATE:	02/20/04
SHEET	1 OF 1

* RATIO DOES NOT CHANGE INSTALLATION DIMENSIONS