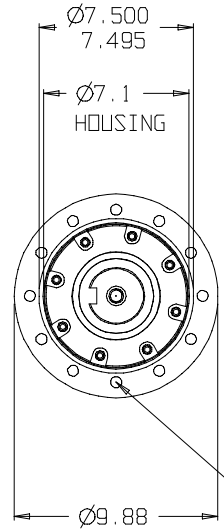
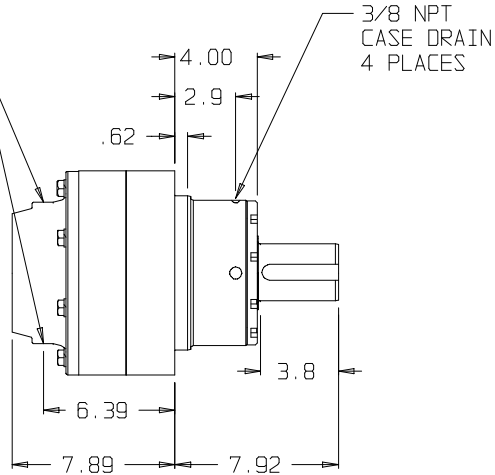
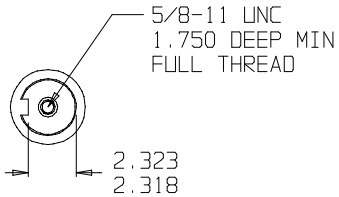
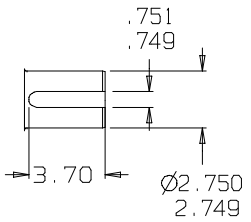


3/8 NPT CASE DRAIN
2 @ 180 DEG APART



.625-11 UNC
1.4 DEEP
ON 8.375 DIA. B.C.
12 PLACES EQ. SPACED

OUTPUT SHAFT DETAIL



SUN GEARS- SUGGESTED MOTOR SHAFT LENGTHS

SUN GEAR	SHAFT TYPE	MIN. (IN.)	MAX. (IN.)
20F	C/L 4000 BEARINGLESS	N/A	N/A
20G	C/L 6000 BEARINGLESS	N/A	N/A
20I	1 1/4" 14T SPLINE	1.97	2.32
-	-	-	-

©COPYRIGHT 2004, HECO GEAR, INC.

REV	DESCRIPTION	DATE	APPROVED
-	-	-	-
-	-	-	-
-	-	-	-
-	-	-	-
-	-	-	-

* RATIO DOES NOT CHANGE INSTALLATION DIMENSIONS

THIS DRAWING CONTAINS PROPRIETARY AND CONFIDENTIAL INFORMATION OF HECO GEAR, INC. IN ACCEPTING THIS DRAWING, (CUSTOMER) ACKNOWLEDGES THE VALUE OF THE INTELLECTUAL PROPERTY CONTAINED HEREIN AND AGREES THAT THE INFORMATION IN THIS DRAWING IS THE PROPERTY OF AND PROPRIETARY TO HECO GEAR, INC. AND MAY NOT BE REPRODUCED WITHOUT THE EXPRESS WRITTEN PERMISSION OF HECO GEAR, INC. ALL RIGHTS RESERVED.



TITLE MODEL 25 ASSEMBLY			
DESCRIPTION HECO 20 MODEL CODE: 25CF1 66*			
SIZE D	DRAWN BY: KSC	DWG NO. CERTIFIED 25 MODEL	REV -
SCALE: DO NOT SCALE		DATE: 02/28/04	SHEET 1 OF 1