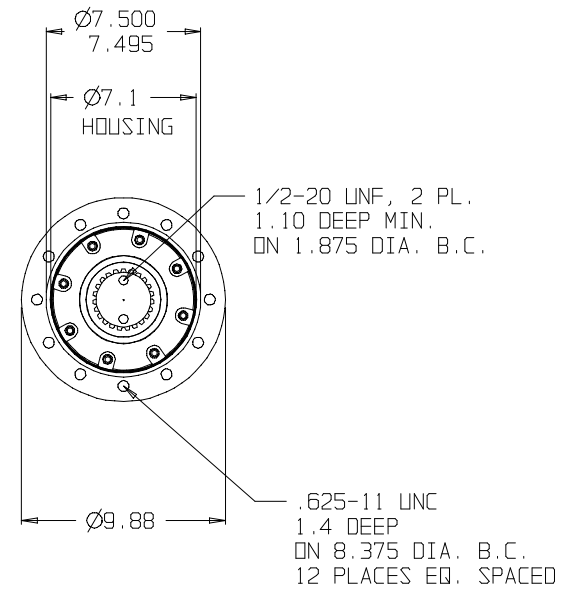
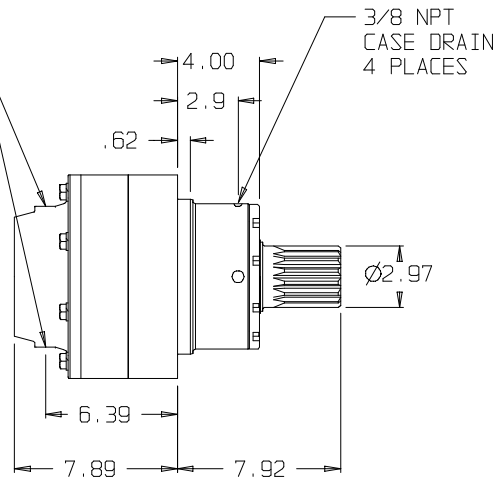


3/8 NPT CASE DRAIN  
2 @ 180 DEG APART



SPLINE DATA

NO. TEETH	23
PITCH	8/16
P.D.	2.875 $\text{ⓈA}$ .002
PRESSURE ANGLE	30°
TOOTH THKNS	MAX. EFF. .1947 (4.945) MAX. ACT. .1927 (4.895) MIN. ACT. .1913 (4.860)
PIN DIA.	.2400 (6.10)
MEAS. OVER TWO PINS	3.2340 (82.144) 3.2318 (82.09)
TYPE OF FIT	FLAT ROOT SIDE FIT
MINOR DIA.	2.650 (67.31) 2.632 (66.85)
TIF DIA.	2.7442 (69.703)

SUN GEARS- SUGGESTED MOTOR SHAFT LENGTHS			
SUN GEAR	SHAFT TYPE	MIN. (IN.)	MAX. (IN.)
20F	C/L 4000 BEARINGLESS	N/A	N/A
20G	C/L 6000 BEARINGLESS	N/A	N/A
20I	1 1/4" 14T SPLINE	1.97	2.32
-	-	-	-

©COPYRIGHT 2004, HECO GEAR, INC.

REV	DESCRIPTION	DATE	APPROVED
-	-	-	-
-	-	-	-
-	-	-	-
-	-	-	-
-	-	-	-

THIS DRAWING CONTAINS PROPRIETARY AND CONFIDENTIAL INFORMATION OF HECO GEAR, INC. IN ACCEPTING THIS DRAWING, (CUSTOMER) ACKNOWLEDGES THE VALUE OF THE INTELLECTUAL PROPERTY CONTAINED HEREIN AND AGREES THAT THE INFORMATION IN THIS DRAWING IS THE PROPERTY OF AND PROPRIETARY TO HECO GEAR, INC. AND MAY NOT BE REPRODUCED WITHOUT THE EXPRESS WRITTEN PERMISSION OF HECO GEAR, INC. ALL RIGHTS RESERVED.



2350 DEL MONTE STREET  
WEST SACRAMENTO, CA 95661  
(916)-372-5411 FAX (916)-373-8522

TITLE  
MODEL 25 ASSEMBLY  
DESCRIPTION  
HECO 20 MODEL CODE:  
25CF4 66\*

SIZE D	DRAWN BY: KSC	ENG. NO. CERTIFIED 25 MODEL	REV -
SCALE: DO NOT SCALE	DATE: 02/20/04	SHEET 1 OF 1	

\* RATIO DOES NOT CHANGE INSTALLATION DIMENSIONS