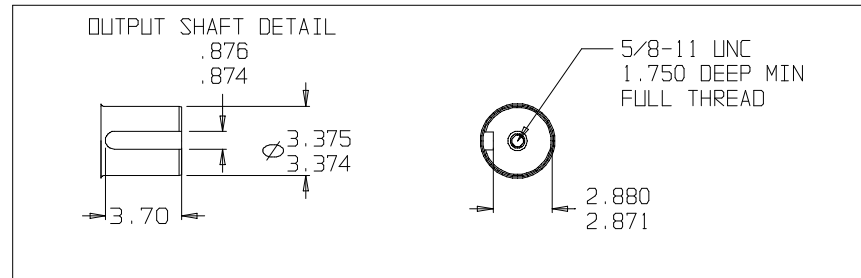
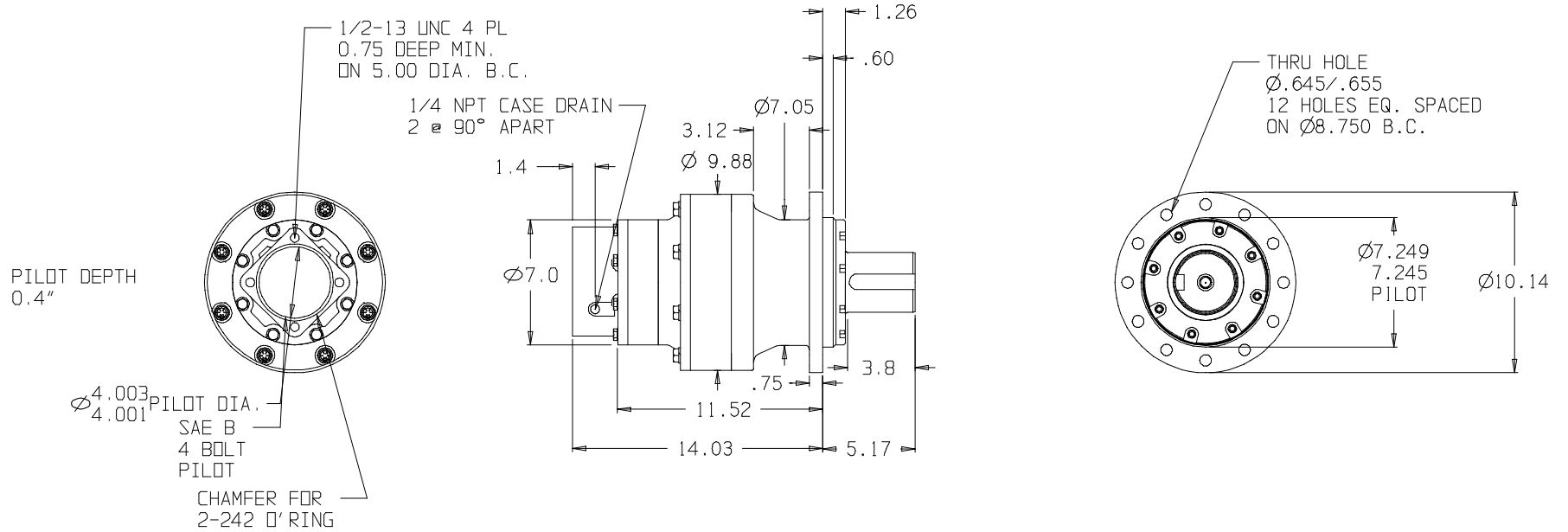


\* RATIO DOES NOT CHANGE INSTALLATION DIMENSIONS



©COPYRIGHT 2002, HECO GEAR, INC.

SUN GEARS- SUGGESTED MOTOR SHAFT LENGTHS			
SUN GEAR	SHAFT TYPE	MIN. (IN.)	MAX. (IN.)
16B	7/8" 13T SPLINE	1.40	1.75
16C	1" 15T SPLINE	1.70	1.95
16D	1" ST. KEYED	1.80	2.10
16E	C/L 2000 BEARINGLESS	N/A	N/A
16F	C/L 4000 BEARINGLESS	N/A	N/A
16H	1 1/4" ST. KEYED	2.05	2.40
16I	1 1/4" 14T SPLINE	2.00	2.32
16M	1" SAE 6B SPLINE	1.95	2.30

THIS DRAWING CONTAINS PROPRIETARY AND CONFIDENTIAL INFORMATION OF HECO GEAR, INC. IN ACCEPTING THIS DRAWING, (CUSTOMER) ACKNOWLEDGES THE VALUE OF THE INTELLECTUAL PROPERTY CONTAINED HEREIN AND AGREES THAT THE INFORMATION IN THIS DRAWING IS THE PROPERTY OF AND PROPRIETARY TO HECO GEAR, INC. AND MAY NOT BE REPRODUCED WITHOUT THE EXPRESS WRITTEN PERMISSION OF HECO GEAR, INC. ALL RIGHTS RESERVED.



2350 DEL MONTE STREET  
WEST SACRAMENTO, CA 95601  
916-372-5411 FAX 916-373-0052

REV	DESCRIPTION	DATE	APPROVED
---	---	---	---
---	---	---	---
---	---	---	---
---	---	---	---
---	---	---	---

TITLE MODEL 20 ASSEMBLY  
DESCRIPTION HECO 20 MODEL CODE:  
25DAF110 31\*

SIZE DRAWN BY: KSC DWG NO. 001012R-  
SCALE: 1:1 DATE: 04/19/01 SHEET 1 OF 1