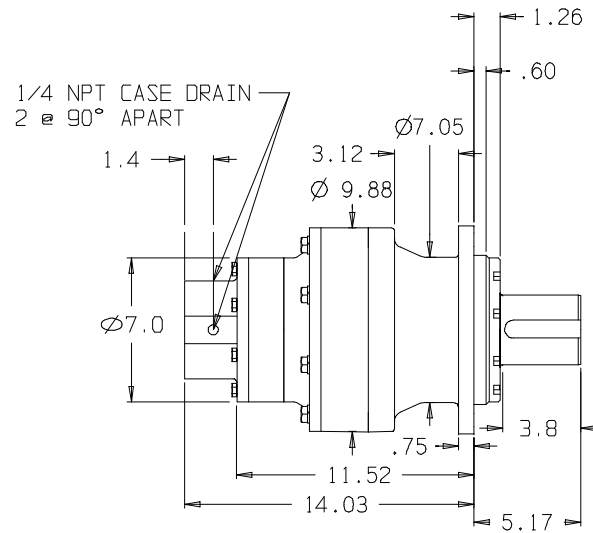
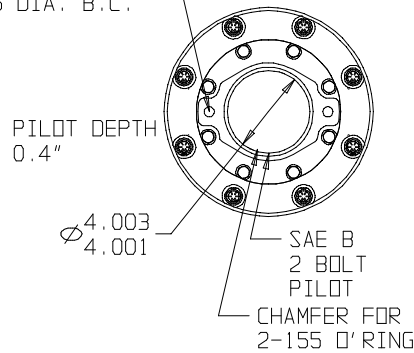


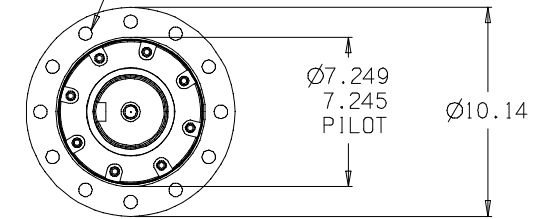
* RATIO DOES NOT CHANGE INSTALLATION DIMENSIONS

WWW.HECOGEAR.COM

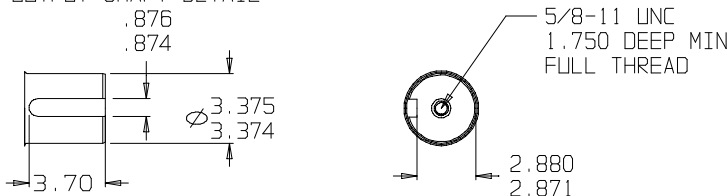
1/2-13 UNC, 2 PL.
.75 DEEP MIN
ON 5.75 DIA. B.C.



THRU HOLE
 $\phi .645 / .655$
12 HOLES EQ. SPACED
ON $\phi 8.750$ B.C.



OUTPUT SHAFT DETAIL



©COPYRIGHT 2002, HECO GEAR, INC.

SUN GEARS- SUGGESTED MOTOR SHAFT LENGTHS

SUN GEAR	SHAFT TYPE	MIN. (IN.)	MAX. (IN.)
16B	7/8" 13T SPLINE	1.40	1.75
16C	1" 15T SPLINE	1.70	1.95
16D	1" ST. KEYED	1.80	2.10
16E	C/L 2000 BEARINGLESS	N/A	N/A
16F	C/L 4000 BEARINGLESS	N/A	N/A
16H	1 1/4" ST. KEYED	2.05	2.40
16I	1 1/4" 14T SPLINE	2.00	2.32
16M	1" SAE 6B SPLINE	1.95	2.30

THIS DRAWING CONTAINS PROPRIETARY AND CONFIDENTIAL INFORMATION OF HECO GEAR, INC. IN ACCEPTING THIS DRAWING, (CUSTOMER) ACKNOWLEDGES THE VALUE OF THE INTELLECTUAL PROPERTY CONTAINED HEREIN AND AGREES THAT THE INFORMATION IN THIS DRAWING IS THE PROPERTY OF AND PROPRIETARY TO HECO GEAR, INC. AND MAY NOT BE REPRODUCED WITHOUT THE EXPRESS WRITTEN PERMISSION OF HECO GEAR, INC. ALL RIGHTS RESERVED.



2320 DEL MONTE STREET
WEST SACRAMENTO, CA 95608
(916) 372-5411 FAX (916) 373-0522

TITLE
MODEL 20 ASSEMBLY
DESCRIPTION
HECO 20 MODEL CODE:
25DAF115 31*

SIZE: D DRAWN BY: KSC ENG NO: D01012R- REV: --
SCALE: DO NOT SCALE DATE: 04/18/01 SHEET 1 OF 1

REV	DESCRIPTION	DATE	APPROVED
---	---	---	---
---	---	---	---
---	---	---	---
---	---	---	---