

* RATIO DOES NOT CHANGE INSTALLATION DIMENSIONS

WWW.HECOGEAR.COM

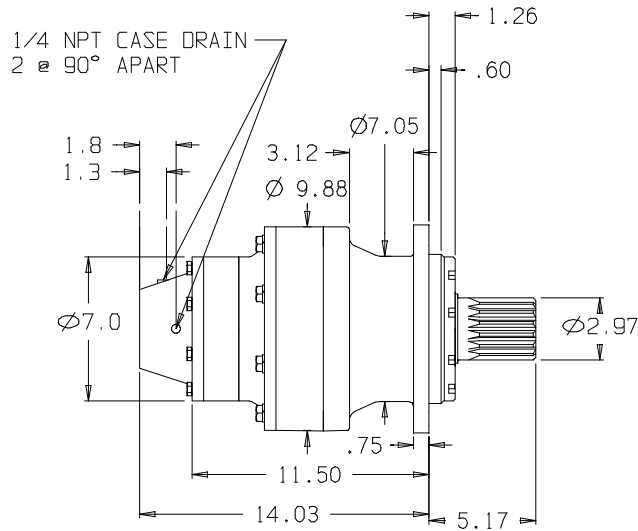
1/2-13 UNC, 6 PL.
.75 DEEP MIN.
ON 4.187 DIA. B.C.

PILOT DEPTH
0.3"

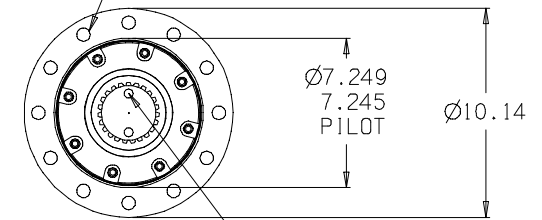
Ø 3.259
Ø 3.255

SAE A
2-4 BOLT
PILOT

NO O'RING PROVISION
USE HECO GASKET
P/N 155170



THRU HOLE
Ø.645/.655
12 HOLES EQ. SPACED
ON Ø8.750 B.C.



1/2-20 UNF, 2 PL.
1.10 DEEP MIN.
ON 1.875 DIA. B.C.

SPLINE DATA

NO. TEETH	23
PITCH	8/16
P.D.	2.875 $\text{M} \text{ } \text{A} \text{ } .002$
PRESSURE ANGLE	30°
TOOTH THKNS	MAX. EFF. .1947 (4.945) MAX. ACT. .1927 (4.895) MIN. ACT. .1913 (4.860)
PIN DIA.	.2400 (6.10)
MEAS. OVER TWO PINS	3.2340 (82.144) 3.2318 (82.09)
TYPE OF FIT	FLAT ROOT SIDE FIT
MINOR DIA.	2.650 (67.31) 2.632 (66.85)
TIF DIA.	2.7442 (69.703)

©COPYRIGHT 2002, HECO GEAR, INC.

SUN GEARS- SUGGESTED MOTOR SHAFT LENGTHS

SUN GEAR	SHAFT TYPE	MIN. (IN.)	MAX. (IN.)
16B	7/8" 13T SPLINE	1.40	1.75
16C	1" 15T SPLINE	1.70	1.95
16D	1" ST. KEYED	1.80	2.10
16E	C/L 2000 BEARINGLESS	N/A	N/A
16F	C/L 4000 BEARINGLESS	N/A	N/A
16H	1 1/4" ST. KEYED	2.05	2.40
16I	1 1/4" 14T SPLINE	2.00	2.32
16M	1" SAE 6B SPLINE	1.95	2.30

THIS DRAWING CONTAINS PROPRIETARY AND CONFIDENTIAL INFORMATION OF HECO GEAR, INC. IN ACCEPTING THIS DRAWING, (CUSTOMER) ACKNOWLEDGES THE VALUE OF THE INTELLECTUAL PROPERTY CONTAINED HEREIN AND AGREES THAT THE INFORMATION IN THIS DRAWING IS THE PROPERTY OF AND PROPRIETARY TO HECO GEAR, INC. AND MAY NOT BE REPRODUCED WITHOUT THE EXPRESS WRITTEN PERMISSION OF HECO GEAR, INC. ALL RIGHTS RESERVED.



TITLE MODEL 20 ASSEMBLY		REV	
DESCRIPTION HECO 20 MODEL CODE: 25DAF4 4 31*		DATE	
SIZE D	DRAWN BY: KSC	ENG NO. D01012R-	REV -
SCALE: DO NOT SCALE	DATE: 04/19/01	SHEET 1 OF 1	