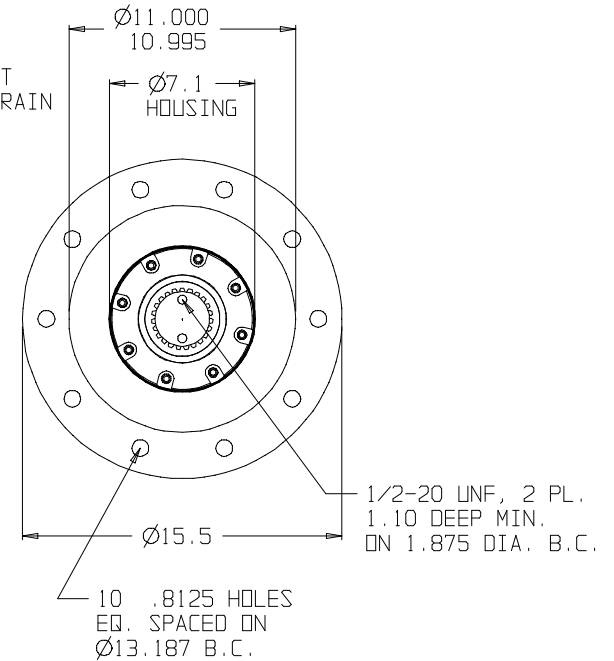
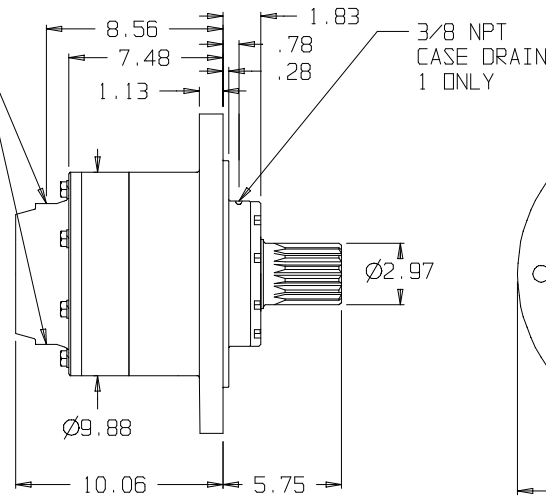


3/8 NPT CASE DRAIN
2 @ 180 DEG APART



SPLINE DATA

NO. TEETH	23
PITCH	8/16
P.D.	2.875 $\text{A} \pm .002$
PRESSURE ANGLE	30°
TOOTH THKNS	MAX. EFF. .1947 (4.945)
	MAX. ACT. .1927 (4.895)
	MIN. ACT. .1913 (4.860)
PIN DIA.	.2400 (6.10)
MEAS. OVER TWO PINS	3.2340 (82.144)
	3.2318 (82.09)
TYPE OF FIT	FLAT ROOT SIDE FIT
MINOR DIA.	2.650 (67.31)
	2.632 (66.85)
TIF DIA.	2.7442 (69.703)

SUN GEARS- SUGGESTED MOTOR SHAFT LENGTHS			
SUN GEAR	SHAFT TYPE	MIN. (IN.)	MAX. (IN.)
20F	C/L 4000 BEARINGLESS	N/A	N/A
20G	C/L 6000 BEARINGLESS	N/A	N/A
20I	1 1/4" 14T SPLINE	1.97	2.32
-	-	-	-

©COPYRIGHT 2004, HECO GEAR, INC.

REV	DESCRIPTION	DATE	APPROVED
---	---	---	---
---	---	---	---
---	---	---	---
---	---	---	---

THIS DRAWING CONTAINS PROPRIETARY AND CONFIDENTIAL INFORMATION OF HECO GEAR, INC. IN ACCEPTING THIS DRAWING, (CUSTOMER) ACKNOWLEDGES THE VALUE OF THE INTELLECTUAL PROPERTY CONTAINED HEREIN AND AGREES THAT THE INFORMATION IN THIS DRAWING IS THE PROPERTY OF AND PROPRIETARY TO HECO GEAR, INC. AND MAY NOT BE REPRODUCED WITHOUT THE EXPRESS WRITTEN PERMISSION OF HECO GEAR, INC. ALL RIGHTS RESERVED.



2360 DEL MONTE STREET
WEST SACRAMENTO, CA 95601
(916)-372-5411 FAX (916)-373-0552

TITLE	MODEL 25 ASSEMBLY
DESCRIPTION	HECO 20 MODEL CODE:
	25FF4 66*
SIZE	D
DRAWN BY:	KSC
DATE:	02/20/04
CHECKED BY:	
DATE:	
SHEET	1 OF 1

* RATIO DOES NOT CHANGE INSTALLATION DIMENSIONS