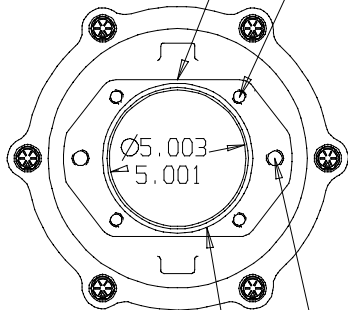


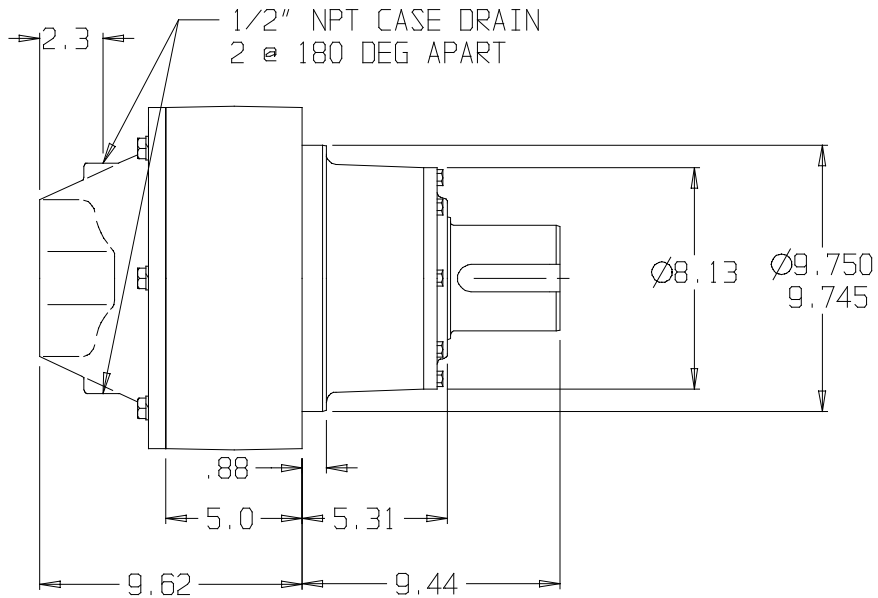
1/2-13 UNC 4 PL
1.0 DEEP MIN
ON 6.375 DIA. B.C.

SAE C
2 & 4 BOLT

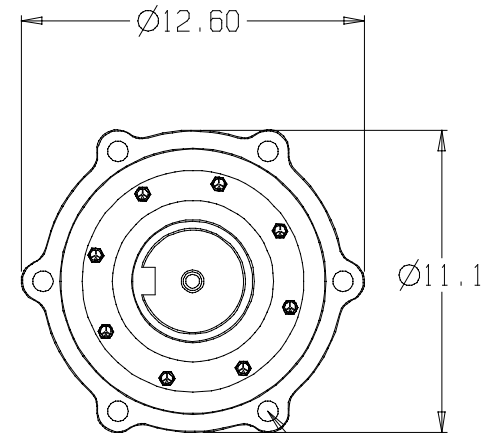


O'RING GROOVE
SIZED FOR
2-252 O'RING

5/8-11 UNC, 2 PL
1.0 DEEP MIN
ON 7.125 DIA. B.C.



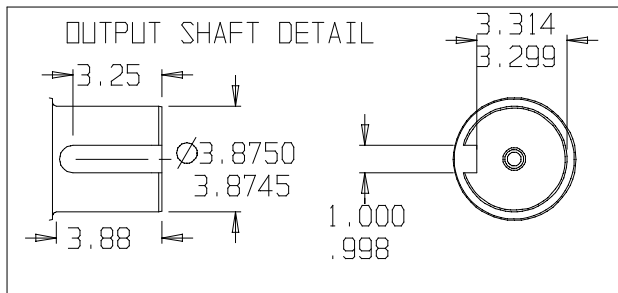
1/2" NPT CASE DRAIN
2 @ 180 DEG APART



6 HOLES
3/4-10 UNC ON
11.00 DIA. B.C.

©COPYRIGHT 2002, HECO GEAR, INC.

REV	DESCRIPTION	DATE	APPROVED
-	-	-	-
-	-	-	-
-	-	-	-
-	-	-	-
-	-	-	-



THIS DRAWING CONTAINS PROPRIETARY AND CONFIDENTIAL INFORMATION OF HECO GEAR, INC. IN ACCEPTING THIS DRAWING, (CUSTOMER) ACKNOWLEDGES THE VALUE OF THE INTELLECTUAL PROPERTY CONTAINED HEREIN AND AGREES THAT THE INFORMATION IN THIS DRAWING IS THE PROPERTY OF AND PROPRIETARY TO HECO GEAR, INC. AND MAY NOT BE REPRODUCED WITHOUT THE EXPRESS WRITTEN PERMISSION OF HECO GEAR, INC. ALL RIGHTS RESERVED.



TITLE MODEL 50 ASSEMBLY		SIZE D	DRWN BY: KSC	DWG NO. ----	REV --
DESCRIPTION HECO MODEL 50 CODE: 50 CF 1 6 6		SCALE: DO NOT SCALE		DATE: 02/06/02	SHEET 1 OF 1