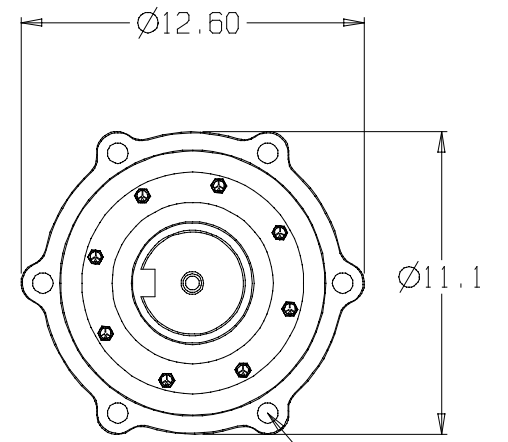
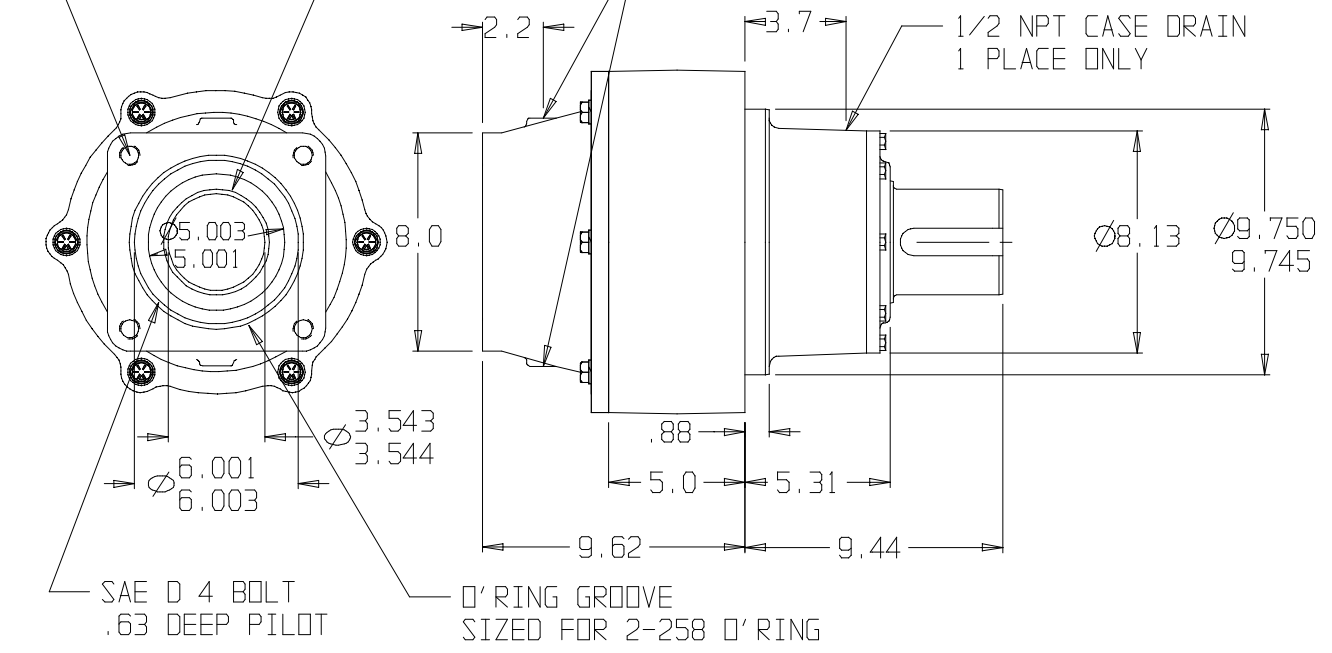


3/4-16 UNC  
1.75 DEEP MIN,  
4 PLACES  
ON 9.0 DIA. B.C.

BEARINGLESS MOTOR  
BALL BEARING PROVISION  
(BEARING PROVIDED WITH HECO 50J SUNGEAR KIT)

1/2" NPT CASE DRAIN  
2 @ 180 DEG APART

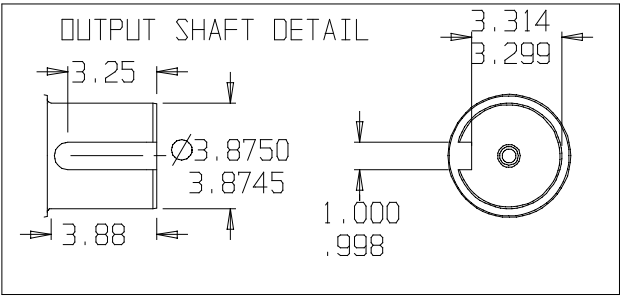
1/2 NPT CASE DRAIN  
1 PLACE ONLY



6 HOLES  
3/4-10 UNC ON  
11.00 DIA. B.C.

©COPYRIGHT 2002, HECO GEAR, INC.

REV	DESCRIPTION	DATE	APPROVED
-	-	-	-
-	-	-	-
-	-	-	-
-	-	-	-
-	-	-	-



THIS DRAWING CONTAINS PROPRIETARY AND CONFIDENTIAL INFORMATION OF HECO GEAR, INC. IN ACCEPTING THIS DRAWING, (CUSTOMER) ACKNOWLEDGES THE VALUE OF THE INTELLECTUAL PROPERTY CONTAINED HEREIN AND AGREES THAT THE INFORMATION IN THIS DRAWING IS THE PROPERTY OF AND PROPRIETARY TO HECO GEAR, INC. AND MAY NOT BE REPRODUCED WITHOUT THE EXPRESS WRITTEN PERMISSION OF HECO GEAR, INC. ALL RIGHTS RESERVED.



TITLE MODEL 50 ASSEMBLY		REV	
DESCRIPTION HECO MODEL 50 CODE: 50 CF 1 7 6		REV -	
SIZE D	DRAWN BY: KSC	ENG NO. ----	REV -
SCALE: DD NOT SCALE	DATE: 02/06/02	SHEET 1 OF 1	