

3/4-16 UNC  
1.75 DEEP MIN,  
4 PLACES  
ON 9.0 DIA. B.C.

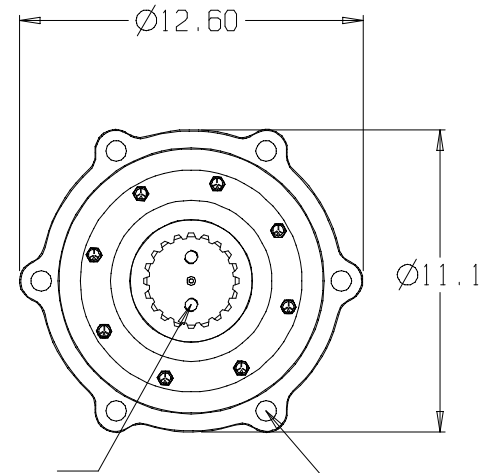
BEARINGLESS MOTOR  
BALL BEARING PROVISION  
(BEARING PROVIDED WITH HECO 50J SUNGEAR KIT)

1/2" NPT CASE DRAIN  
2 @ 180 DEG APART

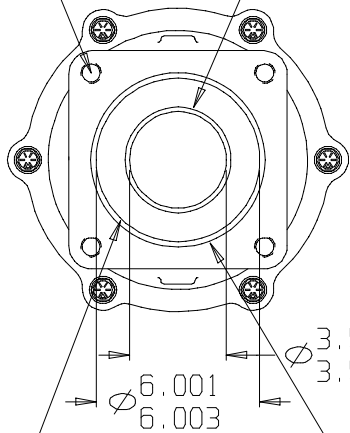
1/2 NPT CASE DRAIN  
1 PLACE ONLY

2.90  
MIN. FULL SPLINE  
Ø 3.50 Ø 8.13 Ø 9.750  
9.745

1/2-20 UNF  
2 PLACES  
1.0 DEEP MIN.  
ON 1.75 DIA. B.C.



6 HOLES  
3/4-10 UNC ON  
11.00 DIA. B.C.



SAE D 4 BOLT  
.63 DEEP PILOT

O'RING GROOVE  
SIZED FOR 2-258 O'RING

Spline Data

NO. TEETH	20		
PITCH	6/12		
PITCH DIA.	3.3333	⊙ A	.002
PRESSURE ANGLE	30°		
TOOTH THKNS	MAX. EFF.	.2602 (6.609)	
	MAX. ACT.	.2583 (6.561)	
	MIN. ACT.	.2569 (6.525)	
PIN DIA.	.3200 (8.1280)		
MEAS. OVER 2 PINS, MAX.	3.8222 (97.084)		
	MIN.	3.8201 (97.031)	
TIF DIA. MAX.	3.1600 (80.264)		
MINOR DIA.	MAX.	3.1293 (79.484)	
	MIN.	3.1073 (78.925)	
TYPE OF FIT	FLAT ROOT SIDE FIT		

THIS DRAWING CONTAINS PROPRIETARY AND CONFIDENTIAL INFORMATION OF HECO GEAR, INC. IN ACCEPTING THIS DRAWING, (CUSTOMER) ACKNOWLEDGES THE VALUE OF THE INTELLECTUAL PROPERTY CONTAINED HEREIN AND AGREES THAT THE INFORMATION IN THIS DRAWING IS THE PROPERTY OF AND PROPRIETARY TO HECO GEAR, INC. AND MAY NOT BE REPRODUCED WITHOUT THE EXPRESS WRITTEN PERMISSION OF HECO GEAR, INC. ALL RIGHTS RESERVED.



2350 DEL MONTE STREET  
WEST SACRAMENTO, CA 95691  
(916)-372-5411 FAX (916)-373-0982

TITLE MODEL 50 ASSEMBLY			
DESCRIPTION HECO MODEL 50 CODE: 50 CF 4 7 6			
SIZE D	DRAWN BY: KSC	ENG. NO. ----	REV -
SCALE: DO NOT SCALE	DATE: 02/06/02	SHEET 1 OF 1	

©COPYRIGHT 2002, HECO GEAR, INC.

REV	DESCRIPTION	DATE	APPROVED
-	---	--	--
-	---	--	--
-	---	--	--
-	---	--	--
-	---	--	--