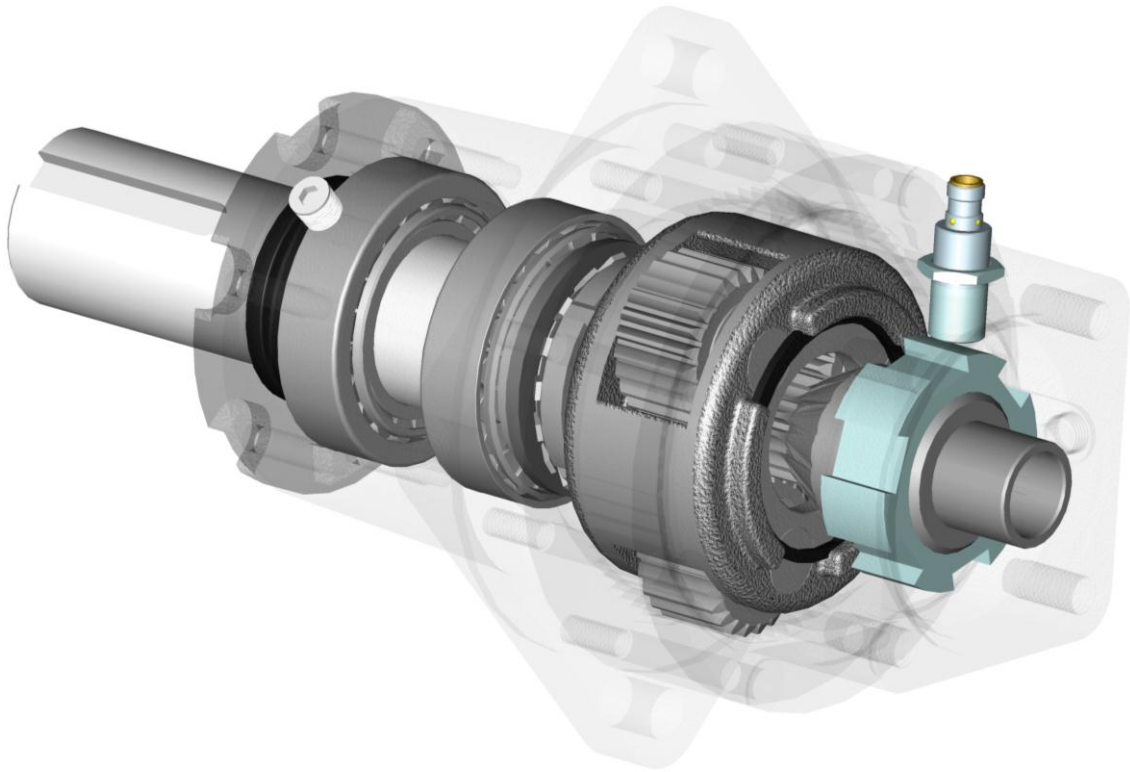




HECO GEAR

Speed Pickup for Heco Gear Planetary Speed Reducers



The Heco Speed Pickup package provides a low cost alternative for speed feedback

- Confirm actuation
- Control acceleration/deceleration ramps
- Product output metering and counting
- Control mixing speeds

The Heco Speed Package is enclosed and protected within the gearbox and includes:

- Non-contact, inductive sensor that is available in PNP (A37 option) or NPN (A38 option) configuration
- Model 16: 6 pulses per revolution; Model 25: 8 pulses per revolution
- Pickup ring mounted to input shaft provides greater accuracy
- 6' molded cable that easily detaches for sensor replacement
- No maintenance. Set it and forget it!
- All components inside the gearbox housing
- Impervious to outside debris