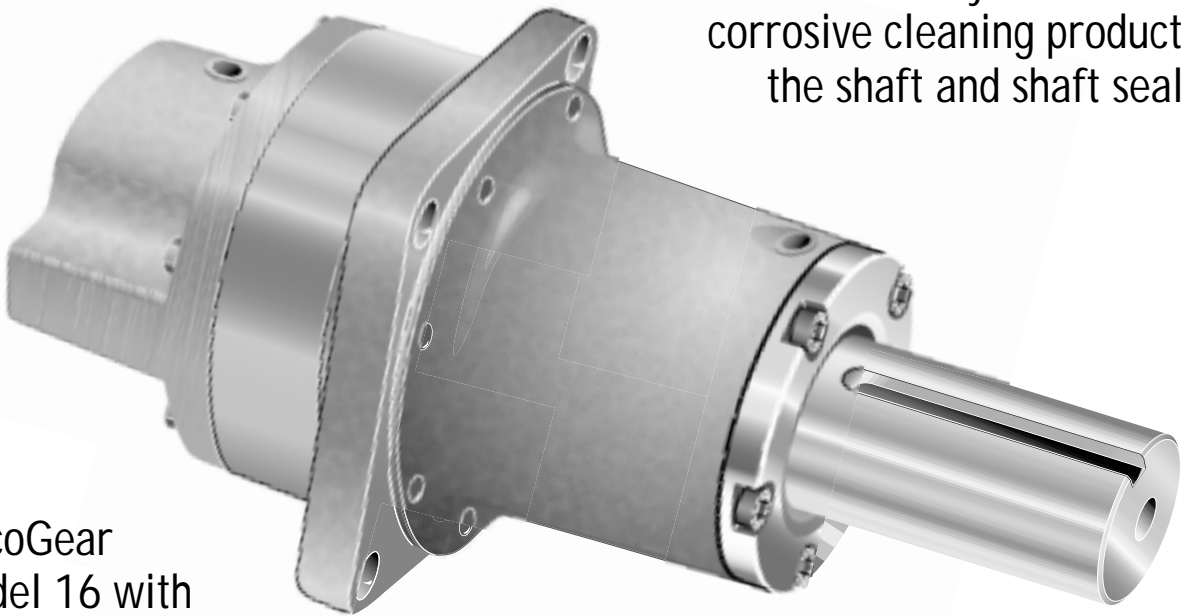


HecoGear Introduces New “corrosion resistant” Conveyor Option



- ❑ HecoGear model 16 with new “A22” option that provides a nickel plated shaft and seal carrier with stainless steel carrier bolts.
- ❑ Nickel plating combats the effects of today’s more corrosive cleaning products on the shaft and shaft seals.
- ❑ In addition, we have redesigned the shaft seal to provide longer seal life and reduced shaft wear.



HĒCO GEAR

2350 Del Monte Street
West Sacramento, California 95691
(P) 916.372.5411
(F) 916.373.0952
www.hecogear.com