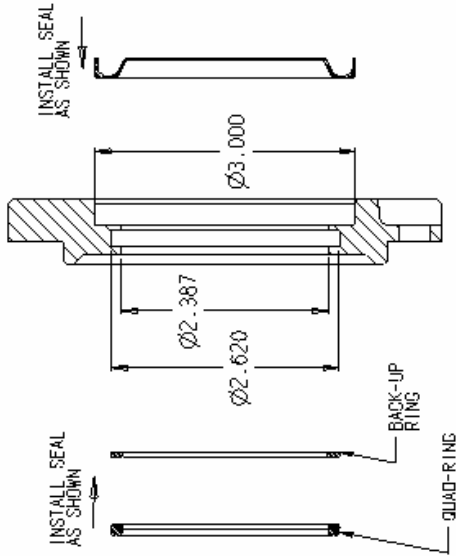


VERSION 3&4



VERSION 3&4

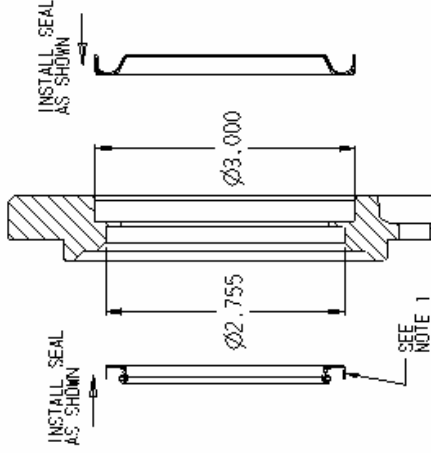
UNITS PRIOR 04/17/2003

ENDING SERIAL NUMBER:
110507A

USE SEAL KIT: SK16-4
OR CONVERT

USING SEAL KIT: SK16-U

VERSION 5



VERSION 5

UNITS FROM 04/17/2003
TO 11/25/2003

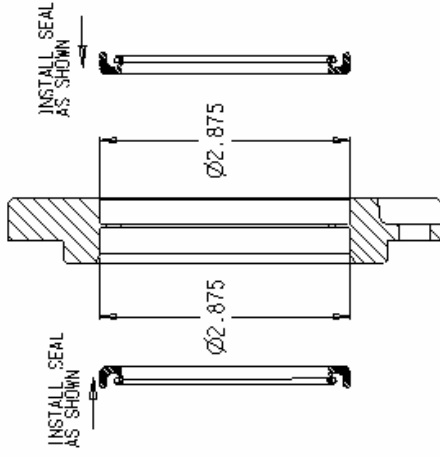
STARTING SERIAL NUMBER:
110508A

ENDING SERIAL NUMBER:
HECO-001229

USE SEAL KIT: SK16-5
OR CONVERT

USING SEAL KIT: SK16-U

VERSION 6



VERSION 6

UNITS AFTER 11/25/2003
STARTING SERIAL NUMBER:
HECO-001230

USE SEAL KIT: 16SK-6