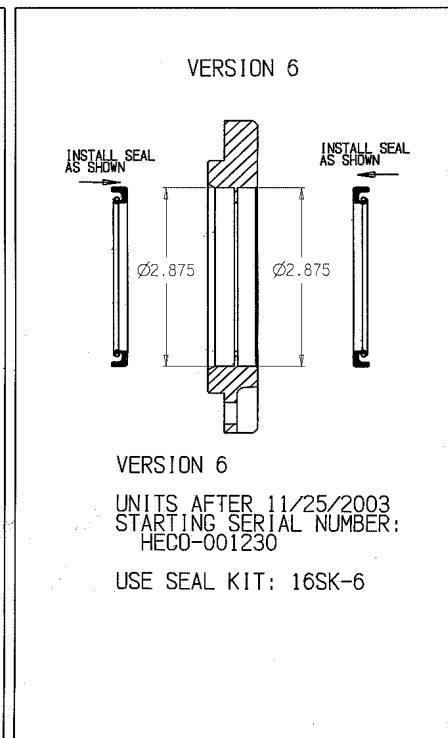
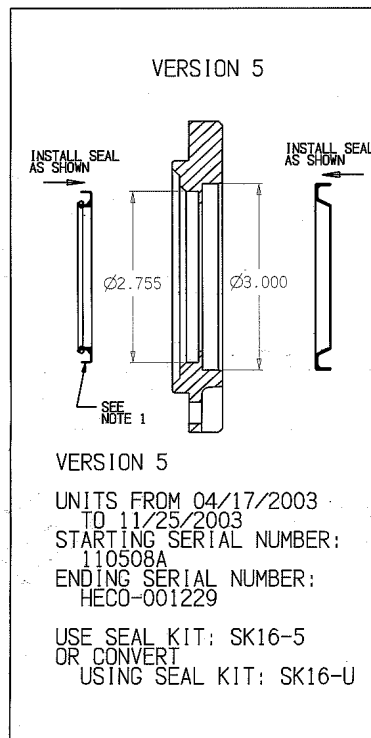
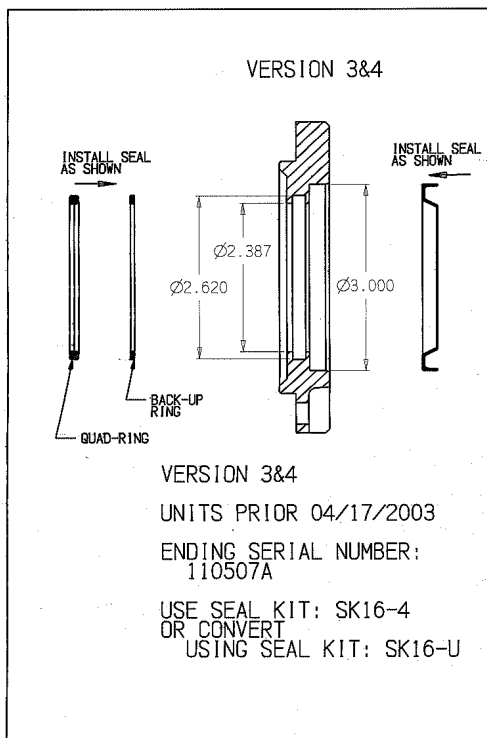


Seal Kits for Model 16 & 16 D Heco Reducers

Model	Design Version	Material	Price
SK16	4	Buna	\$ 40.00
SK16	4V	Viton	\$ 88.00
SK16	4N	Buna w/Nickel seal carrier	\$ 75.00
SK16	5	Buna	\$ 40.00
SK16	5V	Viton	\$ 92.00
SK16	6	Buna	\$ 38.00
SK16	6V	Viton	\$ 70.00
SK16	U - Universal all designs	Buna w/ Seal Carrier	\$ 46.00
SK16	UV - Universal all designs	Viton w/ Seal Carrier	\$ 146.00
SK16	QU - Universal all designs	Buna w/ design 4 Quad ring	\$ 65.00
SK16	QUV - Universal all designs	Viton w/ design 4 Quad ring	\$ 160.00

HECO MODEL 16 SHAFT SEAL DESIGNS



SEAL KIT SK16-U
INCLUDES:
O-RINGS AND SHAFT SEALS
ALSO INCLUDES STYLE 6
SEAL CARRIER

NOTE 1:
APPLY SEALANT TO METAL
CASE OF SEAL.
APPLY ONLY TO METAL PORTION
OF THE SEAL.
USE LOC-TITE 545
OR EQUAL.