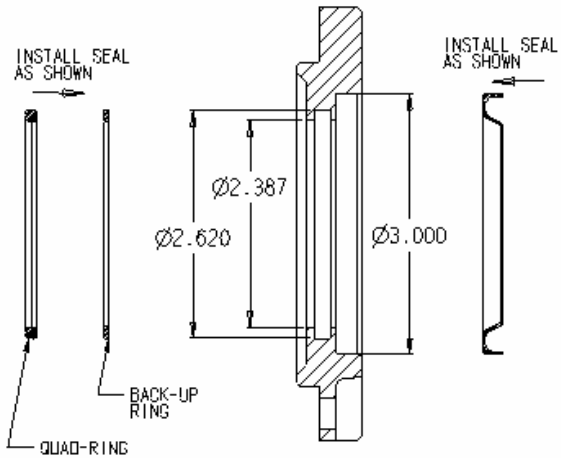


VERSION 3&4



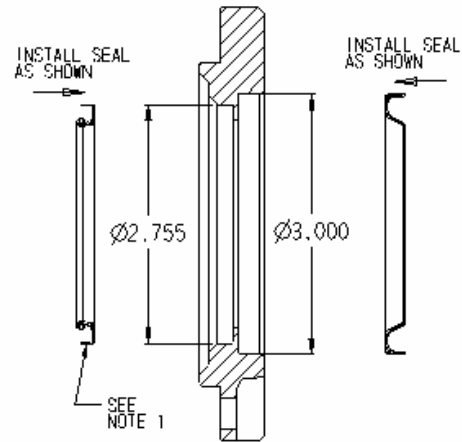
VERSION 3&4

UNITS PRIOR 04/17/2003

ENDING SERIAL NUMBER:  
110507A

USE SEAL KIT: SK16-4  
OR CONVERT  
USING SEAL KIT: SK16-U

VERSION 5

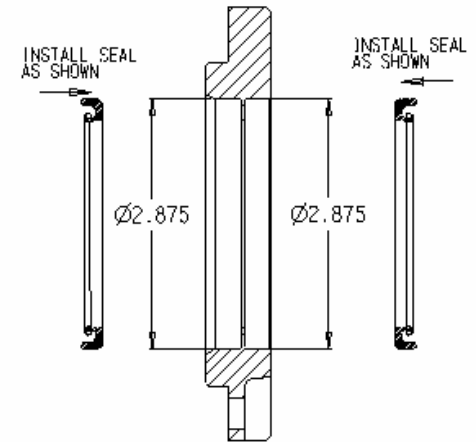


VERSION 5

UNITS FROM 04/17/2003  
TO 11/25/2003  
STARTING SERIAL NUMBER:  
110508A  
ENDING SERIAL NUMBER:  
HECD-001229

USE SEAL KIT: SK16-5  
OR CONVERT  
USING SEAL KIT: SK16-U

VERSION 6



VERSION 6

UNITS AFTER 11/25/2003  
STARTING SERIAL NUMBER:  
HECD-001230

USE SEAL KIT: L6SK-6