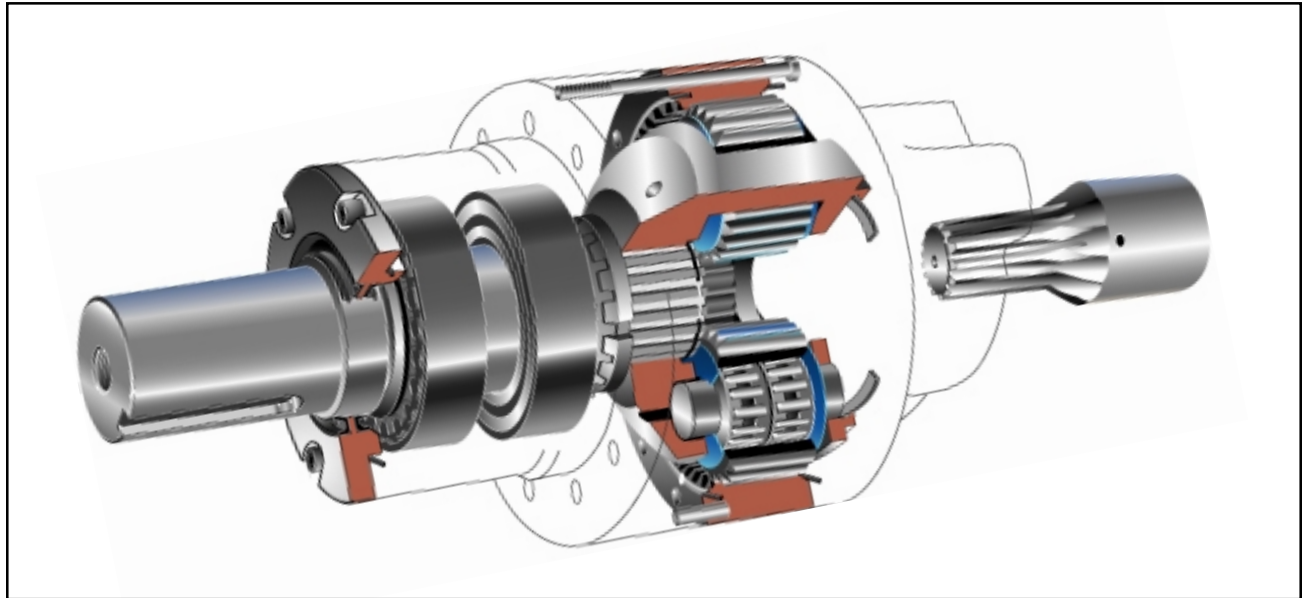


High Capacity Model 25 Replaces Model 20



HecoGear is now shipping our new Model 25. This model is a direct replacement for the Heco Gear Model 20. **The external dimensions and mountings are identical to the Model 20.** We have added 6 mounting bolt holes to the 25CF mounting for a total of 12 mounting bolt holes. You can mount the Model 25 in exactly the same place you had a Model 20 by using only 6 of the holes.

Advantages of the Model 25

We have made significant changes to the internal parts of the Model 25 that give it both greater strength and longer bearing life. The Model 25 has a **50% greater torque rating**. The Model 25, used in the same application as a Model 20, will have approximately **300% longer bearing life**. We have also improved the shaft seal and eliminated the need for the “high pressure” seal option. One seal for all applications.

HecoGear has made these significant improvements at **no additional cost**.

HecoGear will be publishing new parts drawings and parts lists for the Model 25 in printed form as well as on our web site. HecoGear Model 20 parts will continue to be available. Complete Model 20 reducers are no longer available.

2350 Del Monte Street
West Sacramento, CA 95691
916.372.5411
FAX 916.373.0952
www.hecogear.com



HÉCO GEAR