

2022

HECO GEAR, INC.

2350 Del Monte Street
West Sacramento, CA 95691
Phone (916) 372-5411
Fax (916) 373-0952
www.hecogear.com

UNITS PRICE LIST

Effective: September 1, 2022



HECO GEAR

Heco Inc, Heco Gear Terms and Conditions of Sale

1. Any conditions and terms contained in any purchase order or document which was previously delivered by Buyer shall be rendered void and superseded by the terms and conditions set forth herein. The terms and conditions contained herein may be altered or amended only in writing and only if such writing is signed by Heco Inc. ("Seller").
2. As permitted by law, Buyer agrees to indemnify and save Seller harmless from any or all losses, liabilities, claims, actions and suits, including attorney fees and costs, sustained by Seller, or any of Seller's agents, employees or representatives, arising from any breach, or in any way connected to the performance or non-performance, of the Heco Product by Buyer or any of its agents or representatives. Buyer waives any immunity from suit from which it may benefit under the workers compensation laws of any state or to the extent necessary to permit Seller to be fully indemnified and held harmless. Buyer releases Seller of all liability to Buyer's insurance carrier or to anyone claiming under or through Buyer by reason of subrogation or otherwise.
3. Heco has not evaluated the Buyer designed equipment into which Buyer intends to incorporate the Heco Product ("Buyer Product") and therefore assumes no responsibility or liability for the design and operation of such equipment incorporating the Heco Product. Buyer agrees to hold Heco harmless from all claims arising from such Buyer Product.
4. It is the Buyer's responsibility to perform testing of the Buyer Product to determine the performance life of the Heco Product in the Buyer Product.
5. The Buyer agrees to hold Heco harmless for any and all liability arising from personal injury and financial loss incurred in the unsafe operation of any equipment which incorporates the Heco Product.
6. Neither Heco nor any of its agents shall be liable for any consequential, incidental, indirect or special damages, including any lost profits or lost savings arising out of the use or inability to use any Heco Product, or damages for personal injury or property damage resulting directly or indirectly to Buyer or any other person from the possession, ownership, or use of any Heco Products deemed to be defective, even if Heco has been advised of the possibility of such damages.
7. Buyer shall not set off any claims or indebtedness, including without limitation claims arising from defective products purchased from Seller, against any indebtedness of Buyer to Seller, including without limitation amounts set forth in any invoice or purchase order, without the prior written consent of Seller.
8. Buyer shall not cancel or modify any purchase order placed by Buyer with Seller without the prior written consent of Seller, except as follows: Buyer shall give written notice to Seller of such cancellation or modification and Buyer shall pay all expenses incurred by Seller in connection with the cancelled or modified order including, without limitation, finished products, work in process, raw materials, freight charges, design cost, and set up cost. Seller may terminate any purchase order, at any time in its sole discretion, with notice to Buyer.
9. This document constitutes the entire agreement between the parties, all oral agreements being merged herein, and supersedes all prior representations. There are no representations, agreements, arrangements, or understandings, oral or written, between or among the parties relating to the subject matter of this Invoice that are not fully expressed herein.
10. Any of the terms or conditions of these terms and conditions may be waived at any time by the party entitled to the benefit thereof, but no such waiver shall affect or impair the right of the waiving party to require observance, performance or satisfaction either of that term or condition as it applies on a subsequent occasion or of any other term or condition.
11. If the services of an attorney are required by either party to secure the performance of these terms and conditions or otherwise upon the breach or default of these terms and conditions, or if any judicial remedy or arbitration is necessary to enforce or interpret any provision of these terms and conditions or the rights and duties of any person in relation thereto, the prevailing party shall be entitled to reasonable attorneys' fees, costs and other expenses, in addition to any other relief to which such party may be entitled. Any award of damages following judicial remedy or arbitration as a result of the breach of these terms and conditions or any of its provisions shall include an award of prejudgment interest from the date of the breach at the maximum amount of interest allowed by law.
12. If any provision of these terms and conditions is held by a court of competent jurisdiction to be invalid or unenforceable, the remainder of these terms and conditions which can be given effect without the invalid provision shall continue in full force and effect and shall in no way be impaired or invalidated.
13. The rights and obligations of the parties and the interpretation and performance of any transaction between them shall be governed by the law of California, excluding its conflict of laws rules.

Heco Inc, Heco Gear Warranty

1. Heco Inc. ("Heco"), dba HECO GEAR, warrants its Heco Gear Products to be free from defects in material and workmanship for a period of twelve (12) months from the date of first use or eighteen (18) months from the date of manufacture, whichever occurs first.
2. Any Heco Product Buyer claims to be defective must be returned by Buyer to Heco for inspection by Heco factory personnel at Heco's factory. Buyer's sole remedy with respect to any defective Product shall be replacement or repair of the part or Product determined to be defective by Heco's factory inspection, at Heco's option.
3. Heco Warranty does not apply to any Product that has been disassembled or modified in any way outside of Heco's factory or to failures due to reasons other than defects such as accidents or misuse.
4. Any alterations or modifications made to the Product (other than those made by Heco) shall render this Warranty null and void. No oral or written information or advice given by Heco, its dealers, distributors, agents or employees will create a warranty or in any way increase the scope of the limited warranty set forth herein, and Buyer may not rely on any such information or advice.

THIS IS THE SOLE AND ONLY WARRANTY OF HECO AND NO OTHER WARRANTY IS APPLICABLE, EITHER EXPRESSED OR IMPLIED, IN FACT OR BY LAW, INCLUDING ANY WARRANTY AS TO MERCHANTABILITY OR FITNESS FOR A PARTICULAR USE OR PURPOSE, WHICH WARRANTIES ARE EXPRESSLY WAIVED BY BUYER.

Heco Inc Terms and Conditions of Sale - Page 2 or Visit www.hecogear.com/termsandconditions.pdf

Heco Inc, Heco Gear Pricing

1. The prices published herein may be subject to change at the discretion of Heco.
2. When the Buyer places an order with Heco the order is acknowledged by Heco Inc via an emailed order "Acknowledgment". Prices on the acknowledged order may be subject to change if errors have occurred.
3. The acknowledged shipping (required) date on the order "Acknowledgment" is a computer generated estimate of the time this order will be manufactured and shipped and may be subject to change.

Heco Gear Quick Ship Program

Model Code	Shipping Time	Net Cost Per Unit
Model 11, 11H OHLA	24 Hours	\$ 150.00
Model 16 Reducers	24 Hours	\$ 150.00
Model 30 Reducers	48 Hours	\$ 200.00
Model 40, 44 Reducers	48 Hours	\$ 200.00
Model 60 Reducers	4 Working Days	\$ 400.00
Electric Drives	4 Working Days	\$ 250.00
Speed Pickup	4 Working Days	\$ 250.00

- **Normal Lead-Time – 4 to 6 weeks on Standard Units**
 - **Repair Kits and Parts can be shipped within 24 hours**
 - **How to Identify the Shaft Seal Repair Kit**
1. Find the Model Code on the reducer located on an engraved label (prior to 2003) or stamped/engraved into the body of the reducer.
 2. Go to the www.hecogear.com/public/product.asp. At the bottom of the page under "Model Code Inquiry" enter the model code. The next page will recommend the correct seal kit information.
 3. To information on all the seal kits that we offer please visit the same page and use the reducer configurator.

Lubrication information can be obtained via the following web link.

Model Code	Web Link
Model 11, 11H OLHA	www.hecogear.com/heco/catalog/Model_11_Service_Information/Model_11_Instructions_Lube.pdf
Model 16 Reducers	www.hecogear.com/heco/catalog/Model_16_Service_Information/Hecogear_Model_16_Instructions_Parts_Lube.pdf
Model 30 Reducers	www.hecogear.com/heco/catalog/Model_30_Service_Information/Hecogear_Model_30_Instructions_Parts_Lube.pdf
Model 40 Reducers	www.hecogear.com/heco/catalog/Model_40_Service_Information/Hecogear_Model_40_Instructions_Parts_Lube.pdf
Model 50 Reducers - Discontinued	www.hecogear.com/heco/catalog/Model_50_Service_Information/Hecogear_Model_50_Instructions_Parts_Lube.pdf
Model 60 Reducers	www.hecogear.com/heco/catalog/Model_60_Service_Information/Hecogear_Model_60_Instructions_Parts_Lube.pdf
Model 63D Reducers	www.hecogear.com/heco/catalog/Model_63_Service_Information/Hecogear_Model_63D_Instructions_Parts_Lube.pdf
Electric Drives	www.hecogear.com/heco/catalog/Model_16_Service_Information/Hecogear_Lubrication_Guide_Electric_Drive.pdf

On-Line Configuration and Pricing:

1. On the Heco Gear web site, www.hecogear.com click Products on the menu bar.
2. Under the highlighted Model Code click on the model you are trying to price.
3. Click on the configuration you are trying to price. Base (mounting), Shaft, Motor Adapter, Ratio, Special Options, Sungears, click submit. This will bring you to Sales Price and Availability.

Parts and Service Information:

1. Complete the On-Line Configuration and Pricing steps above.
2. Down the page under Post Sale Service and Parts note the links to; Parts List/Bill of Materials, Exploded Parts Breakdown Illustration.

**HECO MODEL 11 DIRECT DRIVE
OVERHUNG LOAD ADAPTER
LIST PRICES**

ORDER CODE	DESCRIPTION	\$ PRICE EACH
MOUNTING FLANGES		
11FF	FRONT FLANGE	940.00
11CF	CENTER FLANGE	980.00
11AF	A FLANGE	1,360.00
OUTPUT SHAFTS		
1	2.25" STRAIGHT KEYED	N/C
4	16 TOOTH 8/16 SPLINE	POR
5	5 BOLT FLANGED SHAFT W/ 1/2" HUB STUDS	31.50
52	5 BOLT FLANGED SHAFT W/ 5/8" HUB STUDS	42.00
7	2.545" STRAIGHT KEYED SHAFT W/ CROSS DRILLED HOLE	POR
92	10 BOLT FLANGE SHAFT W/ 5/8" HUB STUDS	58.00
11	2.25" KEYED OUTPUT W/ 1.75" KEYED INPUT (M INPUT ONLY)	POR
MOTOR ADAPTERS		
<i>NOTE: MOTOR ADAPTER SELECTION IS DEPENDENT UPON THE LENGTH OF THE HYDRAULIC MOTOR SHAFT FROM THE MOTOR MOUNTING FACE</i>		
4	SAE A, 2 & 4 BOLT – 1 ¼"-14TOOTH SPLINE (MAX SHAFT LENGTH 2.40")	N/C
A	SAE A, 2 & 4 BOLT – 1 ¼"-14TOOTH SPLINE (MAX SHAFT LENGTH 3.24")	N/C
6	SAE C, 4 BOLT – 1 ¼"-14 TOOTH SPLINE (MAX SHAFT LENGTH 2.40")	N/C
C	SAE C, 4 BOLT – 1 ¼"-14 TOOTH SPLINE (MAX SHAFT LENGTH 3.24")	N/C
M	MALE 1.75" KEYED SHAFT INPUT	POR
RATIO		
1	1:1 NO REDUCTION AVAILABLE	N/C
SPECIAL OPTIONS		
V	VITON SEALS	N/C
A22	NICKEL PLATED SHAFT & SEAL CARRIER	140.00
ABOVE PRICES MUST BE ADDED TOGETHER FOR TOTAL UNIT PRICE		

HECO MODEL 11H IDLER LIST PRICES

ORDER CODE	DESCRIPTION	\$ PRICE EACH
MOUNTING FLANGES		
11HFF	FRONT FLANGE	855.00
11HCF	CENTER FLANGE	985.00
11HAF	A FLANGE	1,100.00
OUTPUT SHAFTS		
1	2.250" STRAIGHT KEYED	N/C
2	4 BOLT FLANGED SHAFT W/ 1/2" HUB STUDS	165.00
22	4 BOLT FLANGED SHAFT W/ 5/8" HUB STUDS	165.00
3	2.250" J501 TAPERED	220.00
4	16 TOOTH 8/16 SPLINE	135.00
5	5 BOLT FLANGED SHAFT W/ 1/2" HUB STUDS	165.00
52	5 BOLT FLANGED SHAFT W/ 5/8" HUB STUDS	165.00
6	2.00" STRAIGHT KEYED	80.00
92	10 BOLT FLANGE SHAFT W/ 5/8" HUB STUDS	165.00
MOTOR ADAPTERS		
N	IDLER ONLY – <i>NO MOTOR MOUNT</i>	N/C
RATIO		
1	1:1 NO REDUCTION AVAILABLE	N/C
SPECIAL OPTIONS		
V	VITON SEALS	N/C
A22	NICKEL PLATED SHAFT & SEAL CARRIER	140.00
ABOVE PRICES MUST BE ADDED TOGETHER FOR TOTAL UNIT PRICE		

**HECO MODEL 12 DIRECT DRIVE
QUICK DISCONNECT
LIST PRICES**

ORDER CODE	DESCRIPTION	\$ PRICE EACH
THE HECO MODEL 12 IS CURRENTLY AVAILABLE FOR 1 1/2"-17 TOOTH HYDRAULIC MOTOR OUTPUT SHAFTS. OTHER MOTOR SHAFTS MAY BE AVAILABLE IN THE FUTURE. CONSULT HECO FOR AVAILABILITY.		
MOUNTING FLANGES		
12FF	FRONT FLANGE - <i>NOT AVAILABLE WITH FLANGED SHAFT</i>	POR
12CF	CENTER FLANGE	1,500.00
12AF	A FLANGE	1,890.00
OUTPUT SHAFTS		
1	2.25" STRAIGHT KEYED	POR
5	5 BOLT FLANGED SHAFT W/ 1/2" HUB STUDS	N/C
52	5 BOLT FLANGED SHAFT W/ 5/8" HUB STUDS	N/C
92	10 BOLT FLANGE SHAFT W/ 5/8" HUB STUDS	N/C
MOTOR ADAPTERS -		
4	SAE A, 2 & 4 BOLT	POR
6	SAE C, 2 & 4 BOLT	POR
P	POCLAIN MS02 HYDRA-BASE	640.00
SAE MOTOTR MOUNTS REQUIRE A CUSTOM SPACER BASED ON THE LENGTH OF THE HYDRAULIC MOTOR SHAFT - CONSULT HECO		
LOCK-OUT SENSOR - SENSOR TO INDICATE WHEEL IS DISENGAGED		
M	INDUCTIVE SENSOR - INCLUDES 10 METER 4-PIN MOLDED CONNECTOR TO FLYING LEADS CABLE	185.00
Z	NO INDUCTIVE SENSOR	N/C
SPECIAL OPTIONS		
V	VITON SEALS	Standard
A22	NICKEL PLATED SHAFT & SEAL CARRIER	140.00
ABOVE PRICES MUST BE ADDED TOGETHER FOR TOTAL UNIT PRICE		

HECO MODEL 14 SPEED INCREASER LIST PRICES

ORDER CODE	DESCRIPTION	\$ PRICE EACH
MOUNTING FLANGES		
14FF	FRONT FLANGE	1,710.00
14CF	CENTER FLANGE	1,755.00
PTO INPUT SHAFTS		
41	MALE 1 3/8" 540 RPM PTO SHAFT	N/C
42	FEMALE 1 3/8" 540 RPM PTO SHAFT	N/C
HYDRAULIC PUMP MOUNT & SHAFT		
5	SAE B, 2 BOLT FOR 7/8" 13 TOOTH SPLINE MOTOR SHAFT	200.00
6	SAE C, 2 & 4 BOLT FOR 1-1/4" 14 TOOTH SPLINE MOTOR SHAFT	250.00
RATIOS		
4	4.0:1 SINGLE REDUCTION	N/C
SPECIAL OPTIONS		
V	VITON SEALS	100.00
A22	NICKEL PLATED SHAFT & SEAL CARRIER	140.00
ABOVE PRICES MUST BE ADDED TOGETHER FOR TOTAL UNIT PRICE		

HECO MODEL 16 & 16D REDUCER LIST PRICES

ORDER CODE	DESCRIPTION	\$ PRICE EACH
MOUNTING FLANGES		
16FF	FRONT FLANGE	1,670.00
16CF	CENTER FLANGE	1,715.00
16AF	A FLANGE	1,930.00
16DFF	DOUBLE REDUCTION FRONT FLANGE	2,800.00
16DCF	DOUBLE REDUCTION FLANGE	2,845.00
16DAF	DOUBLE REDUCTION A FLANGE	3,060.00
OUTPUT SHAFTS		
1	2.250" STRAIGHT KEYED	N/C
2	4 BOLT FLANGED SHAFT W/ 1/2" HUB STUDS	165.00
22	4 BOLT FLANGED SHAFT W/ 5/8" HUB STUDS	165.00
23	FLANGED SHAFT W/ 4 1/2" UNF THREADED & 4 .602" THROUGH HOLE	165.00
3	2.250" J501 TAPERED	220.00
4	16 TOOTH 8/16 SPLINE	135.00
5	5 BOLT FLANGED SHAFT W/ 1/2" HUB STUDS	165.00
52	5 BOLT FLANGED SHAFT W/ 5/8" HUB STUDS	165.00
6	2.00" STRAIGHT KEYED	80.00
7	2.545" STRAIGHT KEYED SHAFT W/ CROSS DRILLED HOLE	220.00
8	2.000" HEX W/ CROSS DRILLED HOLE	185.00
81	1.625" SQUARE	185.00
91	9 BOLT FLANGE SHAFT W/ 5/8" HUB STUDS	165.00
92	10 BOLT FLANGE SHAFT W/ 5/8" HUB STUDS	165.00
MOTOR ADAPTERS		
0	SAE B, 4 BOLT	N/C
4	SAE A, 2 & 4 BOLT	N/C
5	SAE B, 2 BOLT	N/C
6	SAE C, 2 & 4 BOLT	100.00
RATIOS		
5	5.2:1 SINGLE REDUCTION - 16FF, 16CF, 16AF ONLY	N/C
27	27.04:1 DOUBLE REDUCTION - 16DFF, 16DCF, 16DAF ONLY	N/C
SPECIAL OPTIONS		
V	VITON SEALS	100.00
A22	NICKEL PLATED SHAFT & SEAL CARRIER	140.00
A60	NICKEL PLATED SHAFT W/ 16Q SEAL CARRIER	140.00
<p>EACH REDUCER REQUIRES A SUNGEAR (CONNECTING SHAFT) TO CONNECT THE HYDRAULIC MOTOR SHAFT TO THE HECO. THESE SUNGEARS CAN BE SELECTED FOR THIS UNIT ON PAGE 19.</p> <p>ABOVE PRICES MUST BE ADDED TOGETHER FOR TOTAL UNIT PRICE</p>		

HECO MODEL 30 REDUCER LIST PRICES

ORDER CODE	DESCRIPTION	\$ PRICE EACH
MOUNTING FLANGES		
30FF	FRONT FLANGE	4,590.00
30CF	CENTER FLANGE	3,950.00
30AF	A FLANGE	4,000.00
OUTPUT SHAFTS		
1	2.750" STRAIGHT KEYED	N/C
11	3.375" STRAIGHT KEYED	N/C
2	FLANGED W/ 8-5/8" HOLES	250.00
22	FLANGED W/ 8-5/8" UNF THREADED HUB STUDS	250.00
4	23 TOOTH 8/16 SPLINE	50.00
42	1 3/8" 540 RPM PTO SHAFT	80.00
7	FLANGED W/ 8-3/4" UNC THREADED HOLES	250.00
8	FLANGED W/10-5/8" UNF THREADED HUB STUDS	250.00
MOTOR ADAPTERS		
4	SAE A, 2 & 4 BOLT	N/C
3	SAE B, 2 & 4 BOLT	N/C
6	SAE C, 2 & 4 BOLT	N/C
P4	4.8:1 RATIO POCLAIN HYDROBASE WITH SUNGEAR	POR
P6	6.0:1 RATIO POCLAIN HYDROBASE WITH SUNGEAR	POR
RATIOS		
3	4.33:1 SINGLE REDUCTION	N/C
6	6.0:1 SINGLE REDUCTION	N/C
SPECIAL OPTIONS		
V	VITON SEALS	150.00
A22	NICKEL PLATED SHAFT & SEAL CARRIER	180.00
EACH REDUCER REQUIRES A SUNGEAR (CONNECTING SHAFT) TO CONNECT THE HYDRAULIC MOTOR SHAFT TO THE HECO. THESE SUNGEARS CAN BE SELECTED FOR THIS UNIT ON PAGE 20.		
ABOVE PRICES MUST BE ADDED TOGETHER FOR TOTAL UNIT PRICE		

HECO MODEL 30D – DOUBLE REDUCTION REDUCER LIST PRICES

ORDER CODE	DESCRIPTION	\$ PRICE EACH
MOUNTING FLANGES		
30DFF	FRONT FLANGE	5,640.00
30DCF	CENTER FLANGE	5,000.00
30DAF	A FLANGE	5,050.00
OUTPUT SHAFTS		
1	2.750" STRAIGHT KEYED	N/C
11	3.375" STRAIGHT KEYED	N/C
2	FLANGED W/ 8-5/8" HOLES	250.00
22	FLANGED W/ 8-5/8" UNF THREADED HUB STUDS	250.00
4	23 TOOTH 8/16 SPLINE	50.00
42	1 3/8" 540 RPM PTO SHAFT	80.00
7	FLANGED W/ 8-3/4" UNC THREADED HOLES	250.00
8	FLANGED W/10-5/8" UNF THREADED HUB STUDS	250.00
MOTOR ADAPTERS		
0	SAE B, 4 BOLT	N/C
4	SAE A, 2 & 4 BOLT	N/C
5	SAE B, 2 BOLT	N/C
6	SAE C, 2 & 4 BOLT	100.00
RATIOS		
23	22.5:1 DOUBLE REDUCTION	N/C
31	31.2:1 DOUBLE REDUCTION	N/C
SPECIAL OPTIONS		
V	VITON SEALS	190.00
A17	POSI-LOCK BEARING NUT	200.00
A22	NICKEL PLATED SHAFT & SEAL CARRIER	180.00
EACH REDUCER REQUIRES A SUNGEAR (CONNECTING SHAFT) TO CONNECT THE HYDRAULIC MOTOR SHAFT TO THE HECO. THESE SUNGEARS CAN BE SELECTED FOR THIS UNIT ON PAGE 19.		
ABOVE PRICES MUST BE ADDED TOGETHER FOR TOTAL UNIT PRICE		

HECO MODEL 40 REDUCER LIST PRICES

ORDER CODE	DESCRIPTION	\$ PRICE EACH
MOUNTING FLANGES		
40FF	FRONT FLANGE	5,680.00
40CF	CENTER FLANGE	4,600.00
40AF	A FLANGE	4,650.00
OUTPUT SHAFTS		
1	2.750" STRAIGHT KEYED	N/C
11	3.375" STRAIGHT KEYED	N/C
2	FLANGED W/ 8-5/8" HOLES	250.00
22	FLANGED W/ 8-5/8" UNF THREADED HUB STUDS	250.00
4	23 TOOTH 8/16 SPLINE	50.00
7	FLANGED W/ 8-3/4" UNC THREADED HOLES	250.00
8	FLANGED W/10-5/8" UNF THREADED HUB STUDS	250.00
MOTOR ADAPTERS		
4	SAE A, 2 & 4 BOLT	N/C
3	SAE B, 2 & 4 BOLT	N/C
6	SAE C, 2 & 4 BOLT	N/C
7	SAE D, 2 & 4 BOLT	650.00
P4	4.8:1 RATIO POCLAIN HYDROBASE WITH SUN GEAR	POR
P6	6.0:1 RATIO POCLAIN HYDROBASE WITH SUN GEAR	POR
RATIOS		
4	4.75:1 SINGLE REDUCTION	N/C
6	6.0:1 SINGLE REDUCTION	N/C
SPECIAL OPTIONS		
V	VITON SEALS	150.00
A17	POSI-LOCK BEARING NUT	200.00
A22	NICKEL PLATED SHAFT & SEAL CARRIER	180.00
EACH REDUCER REQUIRES A SUNGEAR (CONNECTING SHAFT) TO CONNECT THE HYDRAULIC MOTOR SHAFT TO THE HECO. THESE SUNGEARS CAN BE SELECTED FOR THIS UNIT ON PAGE 20.		
ABOVE PRICES MUST BE ADDED TOGETHER FOR TOTAL UNIT PRICE		

HECO MODEL 40D – DOUBLE REDUCTION REDUCER LIST PRICES

ORDER CODE	DESCRIPTION	\$ PRICE EACH
MOUNTING FLANGES		
40DFF	FRONT FLANGE	6,090.00
40DCF	CENTER FLANGE	5,450.00
40DAF	A FLANGE	5,500.00
OUTPUT SHAFTS		
1	2.750" STRAIGHT KEYED	N/C
11	3.375" STRAIGHT KEYED	N/C
2	FLANGED W/ 8-5/8" HOLES	250.00
22	FLANGED W/ 8-5/8" UNF THREADED HUB STUDS	250.00
4	23 TOOTH 8/16 SPLINE	50.00
7	FLANGED W/ 8-3/4" UNC THREADED HOLES	250.00
8	FLANGED W/10-5/8" UNF THREADED HUB STUDS	250.00
MOTOR ADAPTERS		
0	SAE B, 4 BOLT	N/C
4	SAE A, 2 & 4 BOLT	N/C
5	SAE B, 2 BOLT	N/C
6	SAE C, 2 & 4 BOLT	100.00
RATIOS		
25	24.7:1 DOUBLE REDUCTION	N/C
31	31.2:1 DOUBLE REDUCTION	N/C
SPECIAL OPTIONS		
V	VITON SEALS	190.00
A17	POSI-LOCK BEARING NUT	200.00
A22	NICKEL PLATED SHAFT & SEAL CARRIER	180.00
EACH REDUCER REQUIRES A SUNGEAR (CONNECTING SHAFT) TO CONNECT THE HYDRAULIC MOTOR SHAFT TO THE HECO. THESE SUNGEARS CAN BE SELECTED FOR THIS UNIT ON PAGE 19.		
ABOVE PRICES MUST BE ADDED TOGETHER FOR TOTAL UNIT PRICE		

HECO MODEL 44 REDUCER LIST PRICES

ORDER CODE	DESCRIPTION	\$ PRICE EACH
MOUNTING FLANGES		
44FF	FRONT FLANGE	5,800.00
44CF	CENTER FLANGE	5,160.00
44AF	A FLANGE	5,210.00
OUTPUT SHAFTS		
1	2.750" STRAIGHT KEYED	N/C
11	3.375" STRAIGHT KEYED	N/C
2	FLANGED W/ 8-5/8" HOLES	250.00
22	FLANGED W/ 8-5/8" UNF THREADED HUB STUDS	250.00
4	23 TOOTH 8/16 SPLINE	50.00
7	FLANGED W/ 8-3/4" UNC THREADED HOLES	250.00
8	FLANGED W/10-5/8" UNF THREADED HUB STUDS	250.00
MOTOR ADAPTERS		
4	SAE A, 2 & 4 BOLT	N/C
3	SAE B, 2 & 4 BOLT	N/C
6	SAE C, 2 & 4 BOLT	N/C
7	SAE D, 2 & 4 BOLT	650.00
P4	4.8:1 RATIO POCLAIN HYDROBASE WITH SUN GEAR	POR
P6	6.0:1 RATIO POCLAIN HYDROBASE WITH SUN GEAR	POR
RATIOS		
4	4.75:1 SINGLE REDUCTION	N/C
6	6.0:1 SINGLE REDUCTION	N/C
SPECIAL OPTIONS		
V	VITON SEALS	150.00
A17	POSI-LOCK BEARING NUT	200.00
A22	NICKEL PLATED SHAFT & SEAL CARRIER	180.00
<p>EACH REDUCER REQUIRES A SUNGEAR (CONNECTING SHAFT) TO CONNECT THE HYDRAULIC MOTOR SHAFT TO THE HECO. THESE SUNGEARS CAN BE SELECTED FOR THIS UNIT ON PAGE 20.</p>		
<p>ABOVE PRICES MUST BE ADDED TOGETHER FOR TOTAL UNIT PRICE</p>		

HECO MODEL 44D – DOUBLE REDUCTION REDUCER LIST PRICES

ORDER CODE	DESCRIPTION	\$ PRICE EACH
MOUNTING FLANGES		
44DFF	FRONT FLANGE	6,540.00
44DCF	CENTER FLANGE	5,900.00
44DAF	A FLANGE	5,950.00
OUTPUT SHAFTS		
1	2.750" STRAIGHT KEYED	N/C
11	3.375" STRAIGHT KEYED	N/C
2	FLANGED W/ 8-5/8" HOLES	250.00
22	FLANGED W/ 8-5/8" UNF THREADED HUB STUDS	250.00
4	23 TOOTH 8/16 SPLINE	50.00
7	FLANGED W/ 8-3/4" UNC THREADED HOLES	250.00
8	FLANGED W/10-5/8" UNF THREADED HUB STUDS	250.00
MOTOR ADAPTERS		
0	SAE B, 4 BOLT	N/C
4	SAE A, 2 & 4 BOLT	N/C
5	SAE B, 2 BOLT	N/C
6	SAE C, 2 & 4 BOLT	100.00
RATIOS		
25	24.7:1 DOUBLE REDUCTION	N/C
31	31.2:1 DOUBLE REDUCTION	N/C
SPECIAL OPTIONS		
V	VITON SEALS	190.00
A17	POSI-LOCK BEARING NUT	200.00
A22	NICKEL PLATED SHAFT & SEAL CARRIER	180.00
EACH REDUCER REQUIRES A SUNGEAR (CONNECTING SHAFT) TO CONNECT THE HYDRAULIC MOTOR SHAFT TO THE HECO. THESE SUNGEARS CAN BE SELECTED FOR THIS UNIT ON PAGE 19.		
ABOVE PRICES MUST BE ADDED TOGETHER FOR TOTAL UNIT PRICE		

HECO MODEL 60 REDUCER LIST PRICES

ORDER CODE	DESCRIPTION	\$ PRICE EACH
MOUNTING FLANGE		
60CF	MODEL 60 CENTER FLANGE MOUNT	11,000.00
OUTPUT SHAFT		
1	3.875" STRAIGHT KEYED SHAFT	N/C
2	FLANGE SHAFT – 12 – 3/4" HOLES ON 8.00" BC	N/C
4	20 TOOTH 6/12 SPLINE SHAFT	N/C
7	FLANGE SHAFT – 12 TAPPED HOLES 3/4" -10 UNC 8.00" BC	N/C
MOTOR ADAPTER		
6	SAE C, 4 BOLT	N/C
7	SAE D, 4 BOLT	N/C
SHAFT SEAL OPTIONS		
B	BEARINGLESS MOTOR - 50 PSI MAX CASE PRESSURE	N/C
S	DYNAMIC SEALS - 10 PSI MAX CASE PRESSURE	N/C
RATIO		
6	6.0:1 SINGLE REDUCTION	N/C
SPECIAL OPTIONS		
V	VITON SEALS - B SEALS ONLY - S SEALS ARE HIGH TEMP	225.00
A22	NICKEL PLATED SHAFT AND SEAL CARRIER	195.00
EACH REDUCER REQUIRES A SUNGEAR (CONNECTING SHAFT) TO CONNECT THE HYDRAULIC MOTOR SHAFT TO THE HECO. THESE SUNGEARS CAN BE SELECTED FOR THIS UNIT ON PAGE 20.		
ABOVE PRICES MUST BE ADDED TOGETHER FOR TOTAL UNIT PRICE		

HECO MODEL 63D / 65D DOUBLE REDUCTION REDUCER LIST PRICES

ORDER CODE	DESCRIPTION	\$ PRICE EACH
MOUNTING FLANGE		
63DCF	MODEL 63D CENTER FLANGE MOUNT W/M25 INPUT M63 USES M25 PRIMARY GEAR AND SUN GEAR	13,700.00
65DCF	MODEL 65D CENTER FLANGE MOUNT W/M30 INPUT M65 USES M30 PRIMARY GEAR AND SUN GEAR	13,700.00
OUTPUT SHAFTS		
1	3.875" STRAIGHT KEYED SHAFT	N/C
2	FLANGE SHAFT – 12 – 3/4" HOLES ON 8.00" BC	N/C
4	20 TOOTH 6/12 SPLINE SHAFT	N/C
7	FLANGE SHAFT – 12 TAPPED HOLES 3/4" -10 UNC 8.00" BC	N/C
MOTOR ADAPTER		
4	SAE A, 2 & 4 BOLT	N/C
3	SAE B, 2 & 4 BOLT	N/C
6	SAE C, 2 & 4 BOLT	N/C
7	SAE D, 2 & 4 BOLT	650.00
P4	28.8:1 RATIO POCLAIN HYDROBASE WITH SUN GEAR	POR
P6	36.0:1 RATIO POCLAIN HYDROBASE WITH SUN GEAR	POR
RATIO		
28	28.5:1 DOUBLE REDUCTION - MODEL 65D	N/C
28	28.8:1 DOUBLE REDUCTION - MODEL 63D	N/C
36	36.0:1 DOUBLE REDUCTION	N/C
SHAFT SEAL OPTIONS		
B	BEARINGLESS MOTOR - 50 PSI MAX CASE PRESSURE	N/C
S	DYNAMIC SEALS - 10 PSI MAX CASE PRESSURE	N/C
SPECIAL OPTIONS		
V	VITON SEALS - B SEALS ONLY - S SEALS ARE HIGH TEMP	237.00
A22	NICKEL PLATED SHAFT & SEAL CARRIER	195.00
EACH REDUCER REQUIRES A SUNGEAR (CONNECTING SHAFT) TO CONNECT THE HYDRAULIC MOTOR SHAFT TO THE HECO. THESE SUNGEARS CAN BE SELECTED FOR THIS UNIT ON PAGE 20.		
ABOVE PRICES MUST BE ADDED TOGETHER FOR TOTAL UNIT PRICE		

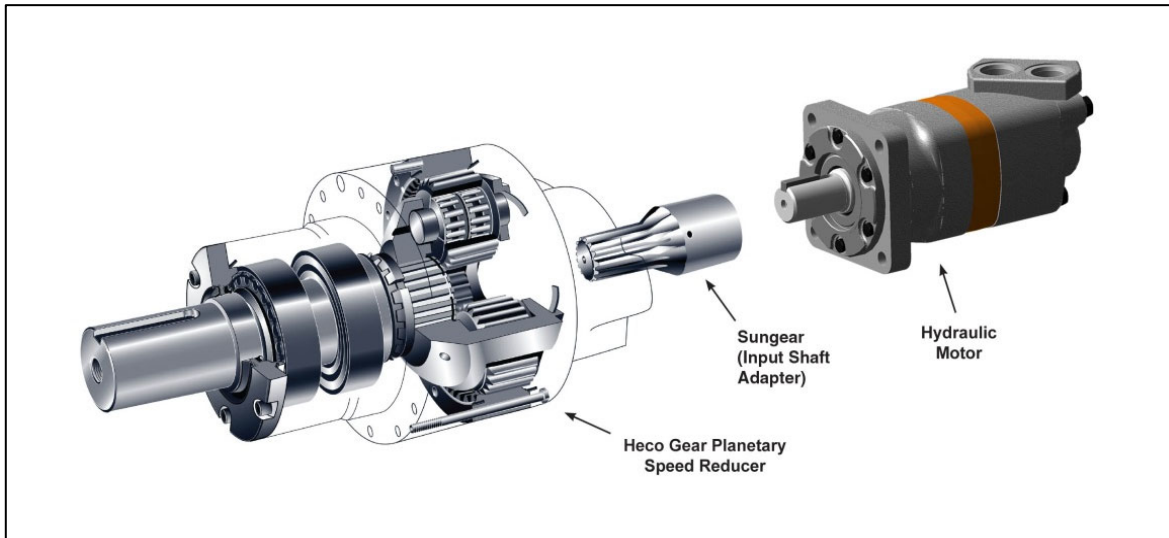
HECO MODEL 63T / 65T – TRIPLE REDUCTION REDUCER LIST PRICES

ORDER CODE	DESCRIPTION	\$ PRICE EACH
MOUNTING FLANGE		
63TCF	MODEL 63T CENTER FLANGE MOUNT W/M25 GEAR SET M63 USES M25 INTERMEDIATE GEAR AND M16 SUN GEAR	14,700.00
65TCF	MODEL 65T CENTER FLANGE MOUNT W/M25 GEAR SET M65 USES M30 INTERMEDIATE GEAR AND M16 SUN GEAR	14,700.00
OUTPUT SHAFTS		
1	3.875" STRAIGHT KEYED SHAFT	N/C
2	FLANGE SHAFT – 12 – 3/4" HOLES ON 8.00" BC	N/C
4	20 TOOTH 6/12 SPLINE SHAFT	N/C
7	FLANGE SHAFT – 12 TAPPED HOLES 3/4" -10 UNC 8.00" BC	N/C
MOTOR ADAPTER		
0	SAE B, 4 BOLT	N/C
4	SAE A, 2 & 4 BOLT	N/C
5	SAE B, 2 BOLT	N/C
6	SAE C, 2 & 4 BOLT	100.00
RATIO		
148	148.2:1 TRIPLE REDUCTION - MODEL 65	N/C
149	149.76:1 TRIPLE REDUCTION - MODEL 63	N/C
187	187.2:1 TRIPLE REDUCTION	N/C
SHAFT SEAL OPTIONS		
B	BEARINGLESS MOTOR - 50 PSI MAX CASE PRESSURE	N/C
S	DYNAMIC SEALS - 10 PSI MAX CASE PRESSURE	N/C
SPECIAL OPTIONS		
V	VITON SEALS - B SEALS ONLY - S SEALS ARE HIGH TEMP	250.00
A22	NICKEL PLATED SHAFT AND SEAL CARRIER	195.00
EACH REDUCER REQUIRES A SUNGEAR (CONNECTING SHAFT) TO CONNECT THE HYDRAULIC MOTOR SHAFT TO THE HECO. THESE SUNGEARS CAN BE SELECTED FOR THIS UNIT ON PAGE 20.		
ABOVE PRICES MUST BE ADDED TOGETHER FOR TOTAL UNIT PRICE		

SUNGEAR SELECTION PROCESS

A Sungear (Input Shaft Adapter) is the connecting shaft between the hydraulic motor output shaft and the Heco Gear planetary set.

The allowed shaft length (min.-max.) for the hydraulic motor is the length of the motor output shaft measured from the mounting face of the hydraulic motor.



MODELS 16, 16D, 25D, 30D, 40D

Order Code	Hydraulic Motor Shaft	Min. Shaft Length in. (mm)	Max. Shaft Length in. (mm)	\$ Price Each
16B	7/8" - 13 Tooth Spline	1.40 (35.56)	1.75 (44.45)	220.00
16C	1" - 15 Tooth Spline	1.70 (43.18)	1.95 (49.53)	220.00
16D	1" Straight Keyed	1.80 (45.72)	2.10 (53.34)	138.00
16E	Charlynn 2000 Bearingless	N/A	N/A	175.00
16F	Charlynn 4000 Bearingless	N/A	N/A	265.00
16H	1 1/4" Straight Keyed	2.05 (52.07)	2.40 (60.96)	200.00
16I	1 1/4" - 14 Tooth Spline 12/24	2.00 (50.80)	2.32 (58.93)	160.00
16L	1 1/2" - 17 Tooth Spline VIS	Requires a Custom Spacer		280.00
16M	1" SAE 6B Spline Short Motor Shaft	1.70 (43.18)	1.90 (48.26)	160.00
16ML	1" SAE 6B Spline Long Motor Shaft	1.95 (49.53)	2.30 (58.42)	160.00
16P	1 1/8" Straight Keyed	1.85 (47.00)	2.15 (54.61)	POR
16S	Danfoss OMSS Bearingless	N/A	N/A	POR
15101	<i>Required Spacer for Charlynn 4000 1 1/4" Keyed, 1 1/4"-14 Tooth Shaft Motor</i>			550.00

MODEL 25, 63D FOR 4000 & 6000 BEARINGLESS AND 1 1/4"-14 TOOTH SPLINE

Order Code	Hydraulic Motor Shaft	Min. Shaft Length in. (mm)	Max. Shaft Length in. (mm)	\$ Price Each
25F4	4.8:1 Ratio Charlynn 4000 Bearingless	N/A	N/A	400.00

25F6	6.0:1 Ratio Charlynn 4000 Bearingless	N/A	N/A	400.00
25G4	4.8:1 Ratio Charlynn 6000 Bearingless	N/A	N/A	400.00
25G6	6.0:1 Ratio Charlynn 6000 Bearingless	N/A	N/A	400.00
25I4	4.8:1 Ratio 1 ¼" - 14 Tooth Spline 12/24	1.97 (50.04)	2.32 (58.93)	260.00
25I6	6.0:1 Ratio 1 ¼" - 14 Tooth Spline 12/24	1.97 (50.04)	2.32 (58.93)	260.00
25L4-1	4.8:1 Ratio 1 ½" - 17 Tooth Spline 12/24	1.97 (50.04)	2.30 (58.42)	POR
25L4-2	4.8:1 Ratio 1 ½" - 17 Tooth Spline 12/24	2.39 (60.71)	2.75 (69.85)	POR
25L4-3	4.8:1 Ratio 1 ½" - 17 Tooth Spline 12/24	2.75 (69.85)	3.15 (80.01)	POR
25L6-1	6.0:1 Ratio 1 ½" - 17 Tooth Spline 12/24	1.97 (50.04)	2.30 (58.42)	POR
25L6-2	6.0:1 Ratio 1 ½" - 17 Tooth Spline 12/24	2.39 (60.71)	2.75 (69.85)	POR
25L6-3	6.0:1 Ratio 1 ½" - 17 Tooth Spline 12/24	2.75 (71.63)	3.15 (80.01)	POR

MODEL 30, 40, 65D

Order Code	Hydraulic Motor Shaft	Min. Shaft Length in. (mm)	Max. Shaft Length in. (mm)	\$ Price Each
30G4	4.75:1 Ratio Charlynn 6000 Bearingless	N/A	N/A	360.00
30G6	6.0:1 Ratio Charlynn 6000 Bearingless	N/A	N/A	360.00
30I4	4.75:1 Ratio 1 ¼" - 14 Tooth Spline 12/24	1.97 (50.04)	2.32 (58.93)	260.00
30I6	6.0:1 Ratio 1 ¼" - 14 Tooth Spline 12/24	1.97 (50.04)	2.32 (58.93)	260.00
40K4	4.75:1 Ratio 1 ¾" - 13 Tooth Spline 12/24	2.80 (71.12)	3.20 (81.28)	450.00
40K6	6.0:1 Ratio 1 ¾" - 13 Tooth Spline 12/24	2.80 (71.12)	3.20 (81.28)	450.00
40L4-1	4.75:1 Ratio 1 ½" - 17 Tooth Spline 12/24	1.97 (50.04)	2.30 (58.42)	450.00
40L4-2	4.75:1 Ratio 1 ½" - 17 Tooth Spline 12/24	2.39 (60.71)	2.75 (69.85)	450.00
40L4-3	4.75:1 Ratio 1 ½" - 17 Tooth Spline 12/24	2.75 (69.85)	3.15 (80.01)	450.00
40L6-1	6.0:1 Ratio 1 ½" - 17 Tooth Spline 12/24	1.97 (50.04)	2.30 (58.42)	450.00
40L6-2	6.0:1 Ratio 1 ½" - 17 Tooth Spline 12/24	2.39 (60.71)	2.75 (69.85)	450.00
40L6-3	6.0:1 Ratio 1 ½" - 17 Tooth Spline 12/24	2.75 (71.63)	3.15 (80.01)	450.00
40P4	4.75:1 Ratio MS02 Poclain Hydrobase	N/A	N/A	POR
40P6	6.0:1 Ratio MS02 Poclain Hydrobase	N/A	N/A	POR

MODEL 60

Order Code	Hydraulic Motor Shaft	Min. Shaft Length in. (mm)	Max. Shaft Length in. (mm)	\$ Price Each
60J	Charlynn 10000 Bearingless - <i>Motor Obsolete</i>	N/A	N/A	POR
60K	1 ¾" - 13 Tooth Spline 8/16	2.72 (69.09)	2.97 (75.43)	480.00
60L1	1 ½" - 17 Tooth Spline 12/24	2.56 (65.02)	2.96 (75.18)	480.00
60L2	1 ½" - 17 Tooth Spline 12/24	2.97 (75.44)	3.22 (81.79)	480.00
60L3	1 ½" - 17 Tooth Spline 12/24	3.23 (82.04)	3.48 (88.39)	480.00
60N	1 ¾" - 27 Tooth Spline 16/32	2.72 (69.09)	2.97 (75.43)	POR
60P	MS05 Poclain Hydrobase	N/A	N/A	POR
60V	Eaton HP30 & VIS40 Bearingless	N/A	N/A	POR
60R	2 1/8" - 16 Tooth Spline 8/16	3.01 (76.45)	3.70 (93.98)	POR

MODEL 16 SEAL KITS

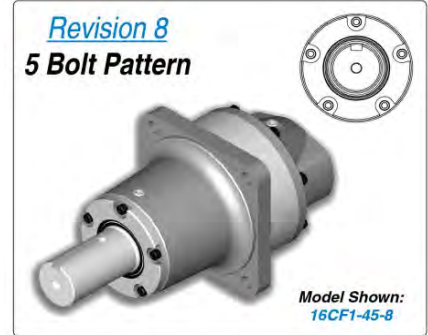
Revision 8 seal kits - New 5 Bolt Seal Carrier

Effective Date 12/31/2017

ORDER CODE	DESCRIPTION	PRICE EACH
SK16-8	Standard Buna Seal Kit	45.00
SK16-8V	Viton Seal Kit	130.00
SK16-8Q	Buna Quad-Ring Seal Kit	47.00
SK16-8U	Seal Carrier Casting w/Buna Seals	55.00
SK16-8UV	Seal Carrier Casting w/Viton Seals	155.00
SK16-8UQ	Seal Carrier Casting w/Quad Seals	60.00
SK16-8N	Nickel Plated Seal Carrier Casting w/Buna Seals	115.00
SK16-8NV	Nickel Plated Seal Carrier Casting w/Viton Seals	175.00
SK16-8NQ	Nickel Plated Seal Carrier Casting w/Quad Seals	115.00
SK16D-8	Standard Buna Seal Kit	52.50
SK16D-8V	Viton Seal Kit	155.00
SK16D-8U	Seal Carrier Casting w/Buna Seals	62.00
SK16D-8UV	Seal Carrier Casting w/Viton Seals	205.00

Seal Carrier Casting Kits Include:

*The Seal Carrier Casting with Shaft seals assembled
New Cap Screws; Stainless for the Nickel Carrier
O-Ring Seal*



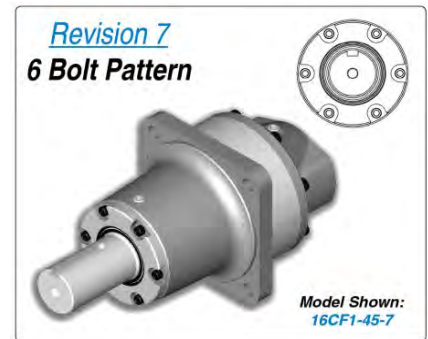
Revision 4-7 seal kits - 6 Bolt Seal Carrier

Effective Date 6/1976 thru 12/31/2017

ORDER CODE	DESCRIPTION	PRICE EACH
SK16-7	Buna Seal Kit - Units 2002 - 12/2017	45.00
SK16-4	Buna Quad Seal Kit	47.00
SK16-7V	Viton Seal Kit	130.00
SK16-4V	Viton Quad Seal Kit	130.00
SK16-U	Universal Seal Carrier w/Buna Seals	55.00
SK16-UN	Universal Nickel Plated Seal Carrier w/Buna Seals	115.00
SK16-UV	Universal Seal Carrier w/Viton Seals	155.00
SK16-QU	Universal Seal Carrier w/Quad Seals	90.00
SK16-QUN	Universal Nickel Plated Seal Carrier w/Quad Seals	115.00
SK16-QUV	Universal Nickel Plated Seal Carrier w/Q-Viton Seals	205.00
SK16D-7	Standard Buna Seal Kit	52.00
SK16D-7V	Viton Seal Kit	155.00
SK16D-U	Universal Seal Carrier w/Buna Seals	62.00
SK16D-UV	Universal Seal Carrier w/Viton Seals	205.00

Universal Seal Carrier Kits Fit All Rev 1-7 Models and Include:

*The Seal Carrier Casting with Shaft seals assembled
New Cap Screws; Stainless for the Nickel Carrier
O-Ring Seal*



MODEL 25, 25D SEAL KITS

ORDER CODE	DESCRIPTION	PRICE EACH
SK25-2	Buna Seal Kit	57.00
SK25-2V	Viton Seal Kit	145.00
SK25D-2	Buna Seal Kit	65.00
SK25D-2V	Viton Seal Kit	165.00

MODEL 35, 35D, 35T SEAL KITS

ORDER CODE	DESCRIPTION	PRICE EACH
SK35-1	Buna Seal Kit	57.00
SK35-1V	Viton Seal Kit	145.00
SK35D-1	Buna Seal Kit	65.00
SK35D-1V	Viton Seal Kit	165.00
SK35T-1	Buna Seal Kit	75.00
SK35T-1V	Viton Seal Kit	185.00

MODEL 60, 63D, 63T, 63Q SEAL KITS

ORDER CODE	DESCRIPTION	PRICE EACH
SK60-B1	Bearingless Buna Kit	160.00
SK60-S1	Dynamic Buna Kit	160.00
SK60-V1	Bearingless Viton Kit	230.00
SK63D-B1	Bearingless Buna Kit	165.00
SK63D-S1	Dynamic Buna Kit	165.00
SK63D-V1	Bearingless Viton Kit	250.00
SK63T-B1	Bearingless Buna Kit	170.00
SK63T-S1	Dynamic Buna Kit	170.00
SK63T-V1	Bearingless Viton Kit	270.00
SK63Q-B1	Bearingless Buna Kit	180.00
SK63Q-S1	Dynamic Buna Kit	180.00
SK63Q-V1	Bearingless Viton Kit	290.00

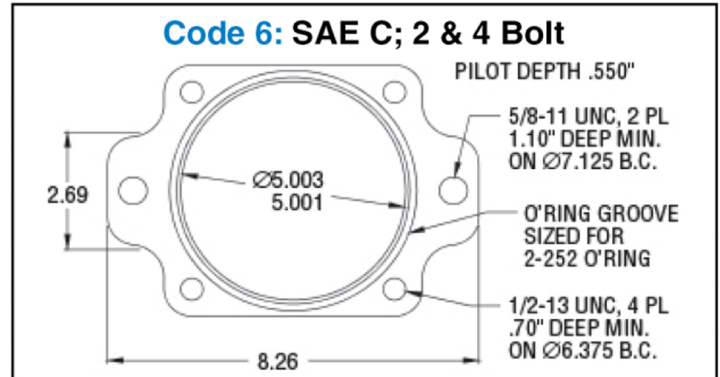
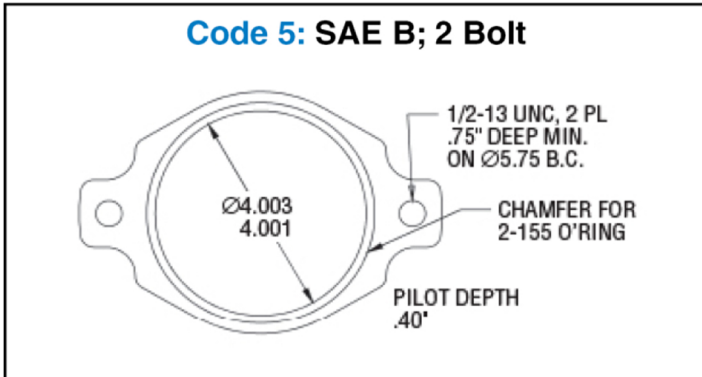
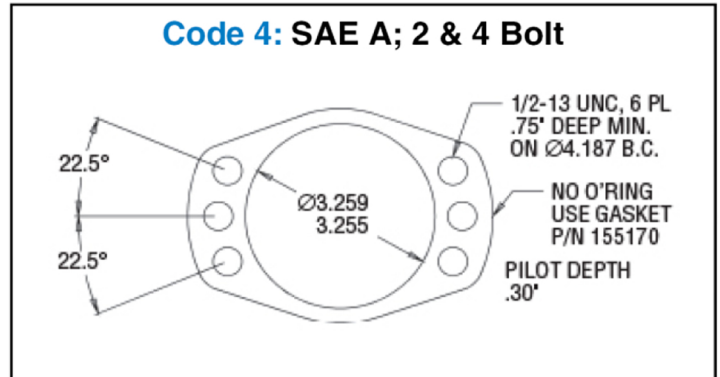
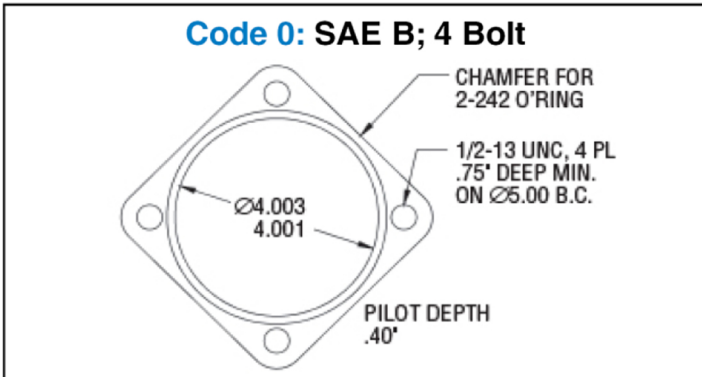
Accessories

QUICK CHANGE KITS

Field conversion motor adapter kits that include parts to modify an existing Heco reducer to the one selected

QC16-0	Model 16 SAE B, 4 BOLT -	210.00
QC16-4	Model 16 SAE A, 2 & 4 BOLT	190.00
QC16-5	Model 16 SAE B, 2 BOLT	190.00
QC16-6	Model 16 SAE C, 2 & 4 BOLT	295.00
QC25-6	Model 25-45 SAE C, 2 & 4 BOLT	350.00

HYDRAULIC MOTOR MOUNTING DATA

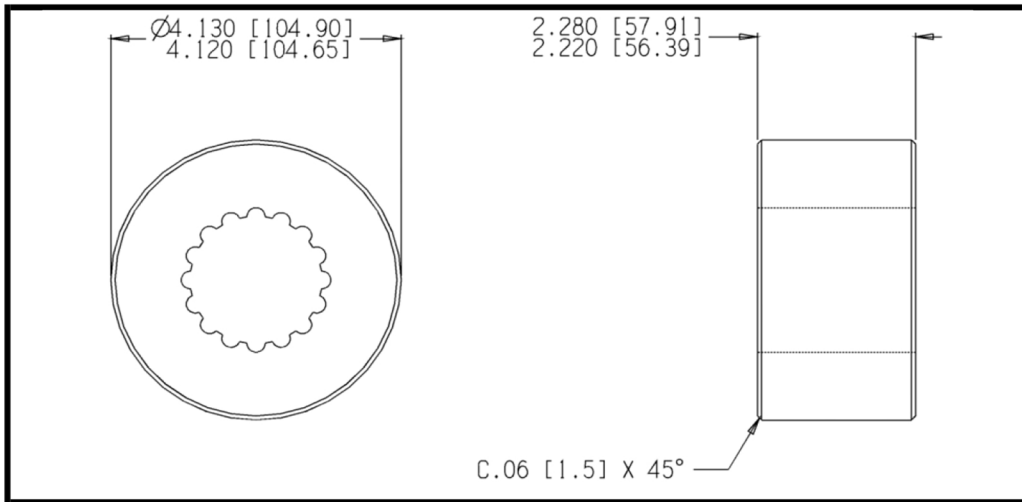


SPLINE BILLETS FOR HECO SHAFTS

16SB1

HECO MODEL 16 SPLINE BILLET

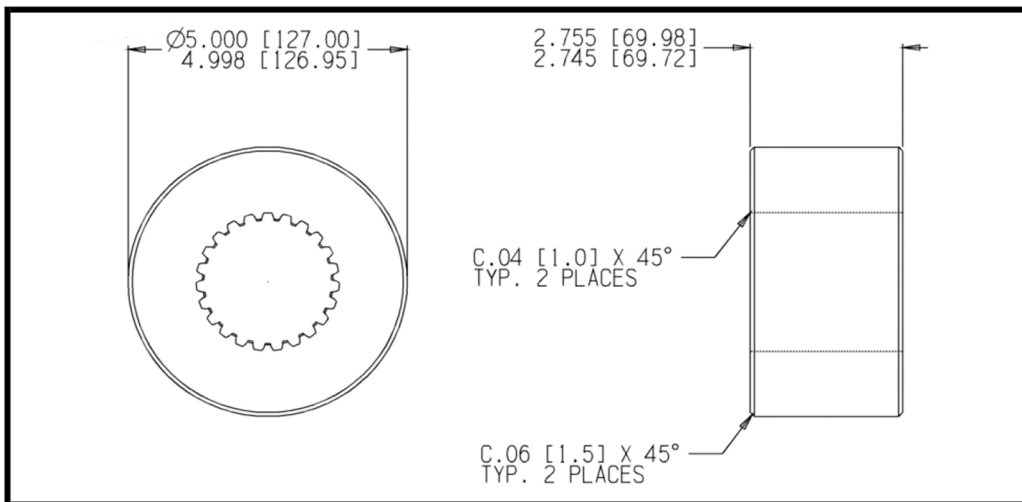
175.00



25SB1

HECO MODEL 25, 30 SPLINE BILLET

250.00



60SB1

HECO MODEL 60 SPLINE BILLET

350.00

