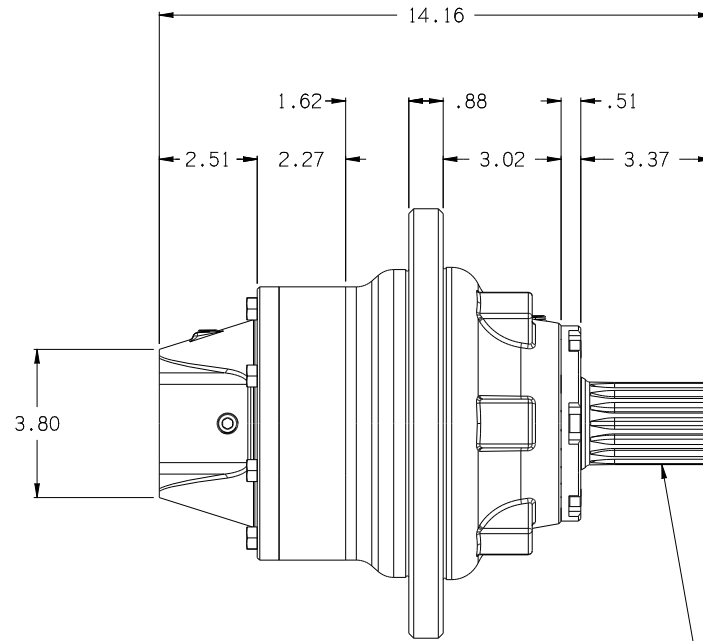


SAE A 2-4 BOLT INPUT MOUNT

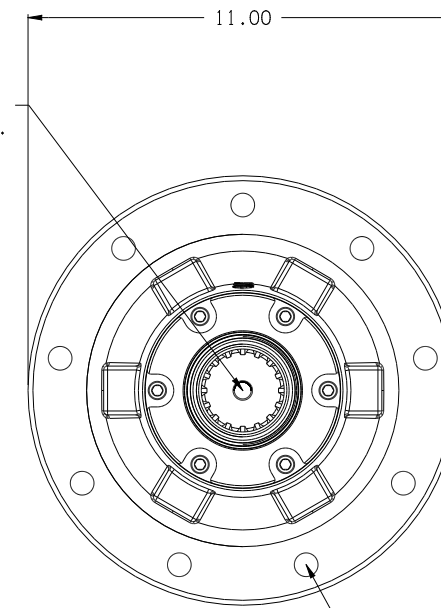
PILOT Ø 3.250

16B SUN GEAR
7/8" 13T SPLINE 16/32 DP

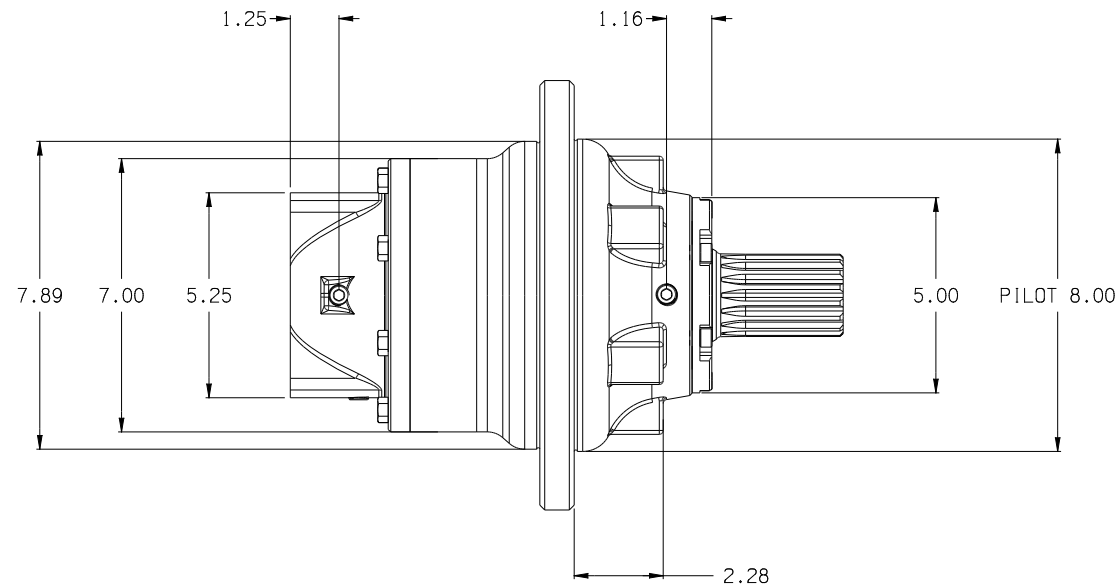


16 TOOTH 8/16 PITCH
30° INVOLUTE SPLINE
FLAT ROOT MAJOR DIA. FIT

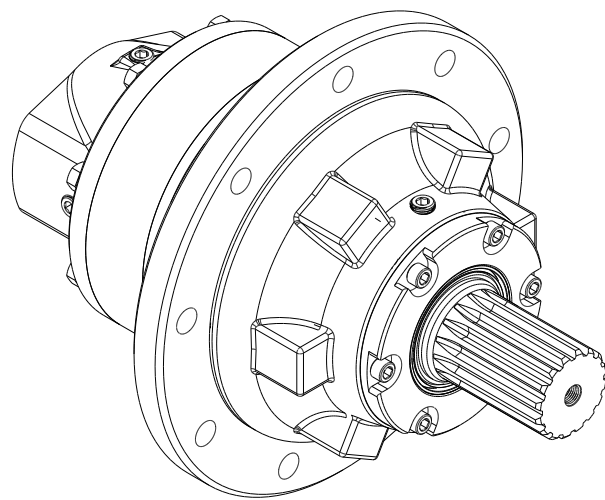
1/2-20 UNF
1.0 DEEP MIN.



QTY. 9 THROUGH MOUNTING HOLES
Ø 0.605/0.610 EQUALLY SPACED
ON 9.500 DIA. B.C.



© COPYRIGHT 2014, HECO GEAR, INC.



REV	DESCRIPTION	DATE	APPROVED
-	---	--	--
-	---	--	--
-	---	--	--
-	---	--	--
-	---	--	--
-	---	--	--

DIMENSIONS ARE IN INCHES DIMENSIONAL TOLERANCE: DEG. ± 1/2° FRAC. ± 1/8 .X ± .05 .XX ± .015 .XXX ± .005 DIA'S. ABOUT COMMON ⊕		THIS DRAWING CONTAINS PROPRIETARY AND CONFIDENTIAL INFORMATION OF HECO GEAR, INC. IN ACCEPTING THIS DRAWING, (CUSTOMER) ACKNOWLEDGES THE VALUE OF THE INTELLECTUAL PROPERTY CONTAINED HEREIN AND AGREES THAT THE INFORMATION IN THIS DRAWING IS THE PROPERTY OF AND PROPRIETARY TO HECO GEAR, INC. AND MAY NOT BE REPRODUCED WITHOUT THE EXPRESS WRITTEN PERMISSION OF HECO GEAR, INC. ALL RIGHTS RESERVED.		2350 DEL MONTE STREET WEST SACRAMENTO, CA 95691 PHONE: (916)-372-5411 FAX: (916)-373-0952		TITLE 16AF4-45-7 DESCRIPTION MODEL 16 SINGLE REDUCTION WITH AF FLANGE; SAE A INPUT; SPLINED SHAFT; AND 16B SUN GEAR		SIZE D		DRAWN BY: MJB		DWG NO. 16AF4-45-7		REV -	
SCALE: DO NOT SCALE PRINT				DATE: 03/21/14		SHEET 1 OF 1									