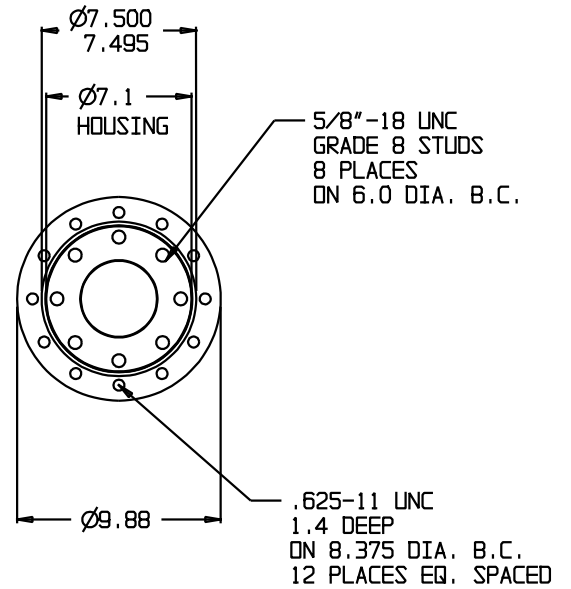
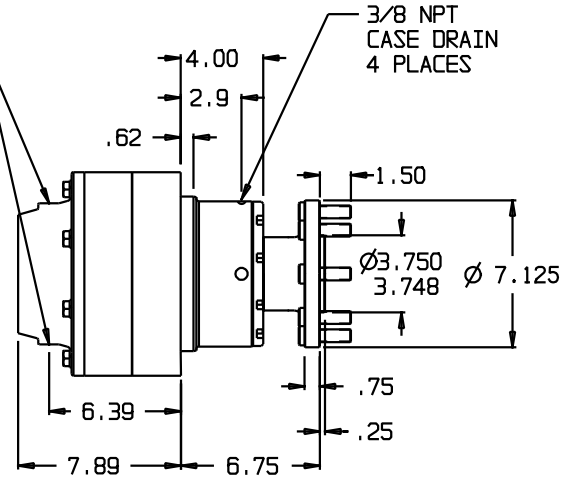


3/8 NPT CASE DRAIN
2 @ 180 DEG APART



SUN GEARS- SUGGESTED MOTOR SHAFT LENGTHS			
SUN GEAR	SHAFT TYPE	MIN. (IN.)	MAX. (IN.)
20F	C/L 4000 BEARINGLESS	N/A	N/A
20G	C/L 6000 BEARINGLESS	N/A	N/A
20I	1 1/4" 14T SPLINE	1.97	2.32
-	-	-	-

©COPYRIGHT 2004, HECO GEAR, INC.

REV	DESCRIPTION	DATE	APPROVED
-	-	-	-
-	-	-	-
-	-	-	-
-	-	-	-
-	-	-	-

* RATIO DOES NOT CHANGE INSTALLATION DIMENSIONS

THIS DRAWING CONTAINS PROPRIETARY AND CONFIDENTIAL INFORMATION OF HECO GEAR, INC. IN ACCEPTING THIS DRAWING, (CUSTOMER) ACKNOWLEDGES THE VALUE OF THE INTELLECTUAL PROPERTY CONTAINED HEREIN AND AGREES THAT THE INFORMATION IN THIS DRAWING IS THE PROPERTY OF AND PROPRIETARY TO HECO GEAR, INC. AND MAY NOT BE REPRODUCED WITHOUT THE EXPRESS WRITTEN PERMISSION OF HECO GEAR, INC. ALL RIGHTS RESERVED.



200 HILBOME AVENUE
REV 2/2004, 02 0000
(800) 392-6911 FAX (800) 392-6902

TITLE MODEL 25 ASSEMBLY		REV	
DESCRIPTION HECO 20 MODEL CODE: 25CF 226 6*		DATE	
SIZE D	DRAWN BY: KSC	CHK BY: CERTIFIED 25 MODEL	REV -
SCALE: TO NET SCALE		DATE: 02/20/04	SHEET 1 OF 1