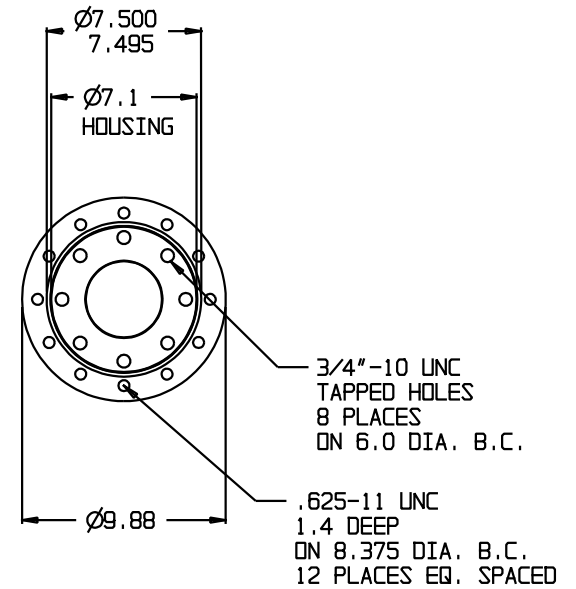
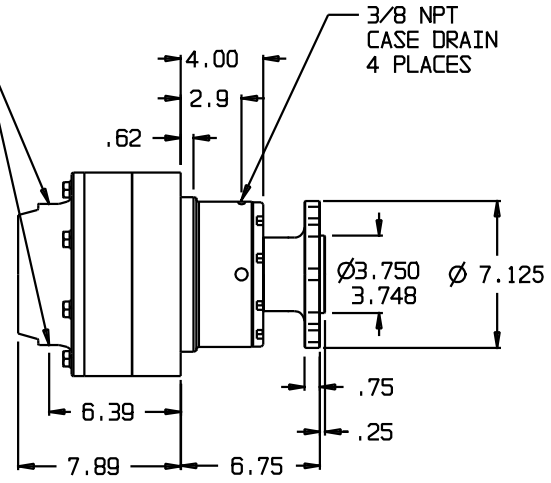


3/8 NPT CASE DRAIN
2 @ 180 DEG APART



SUN GEARS- SUGGESTED MOTOR SHAFT LENGTHS				
SUN GEAR	SHAFT TYPE	MIN. (IN.)	MAX. (IN.)	
20F	C/L 4000 BEARINGLESS	N/A	N/A	
20G	C/L 6000 BEARINGLESS	N/A	N/A	
20I	1 1/4" 14T SPLINE	1.97	2.32	
-	-	-	-	

©COPYRIGHT 2004, HECO GEAR, INC.

REV	DESCRIPTION	DATE	APPROVED
-	-	-	-
-	-	-	-
-	-	-	-
-	-	-	-
-	-	-	-

THIS DRAWING CONTAINS PROPRIETARY AND CONFIDENTIAL INFORMATION OF HECO GEAR, INC. IN ACCEPTING THIS DRAWING, (CUSTOMER) ACKNOWLEDGES THE VALUE OF THE INTELLECTUAL PROPERTY CONTAINED HEREIN AND AGREES THAT THE INFORMATION IN THIS DRAWING IS THE PROPERTY OF AND PROPRIETARY TO HECO GEAR, INC. AND MAY NOT BE REPRODUCED WITHOUT THE EXPRESS WRITTEN PERMISSION OF HECO GEAR, INC. ALL RIGHTS RESERVED.



TITLE MODEL 25 ASSEMBLY			
DESCRIPTION HECO 20 MODEL CODE: 25CF 7 66*			
SCALE: TO NOT SCALE	DATE: 02/20/04	SHEET 1 OF 1	REV -

* RATIO DOES NOT CHANGE INSTALLATION DIMENSIONS