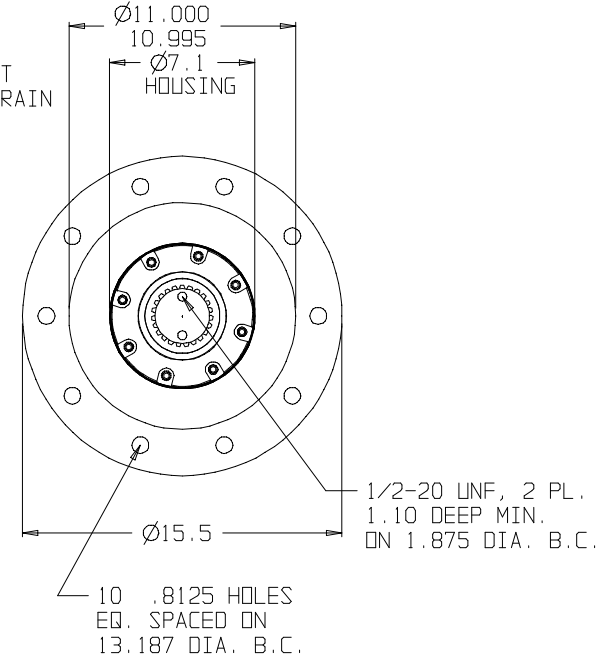
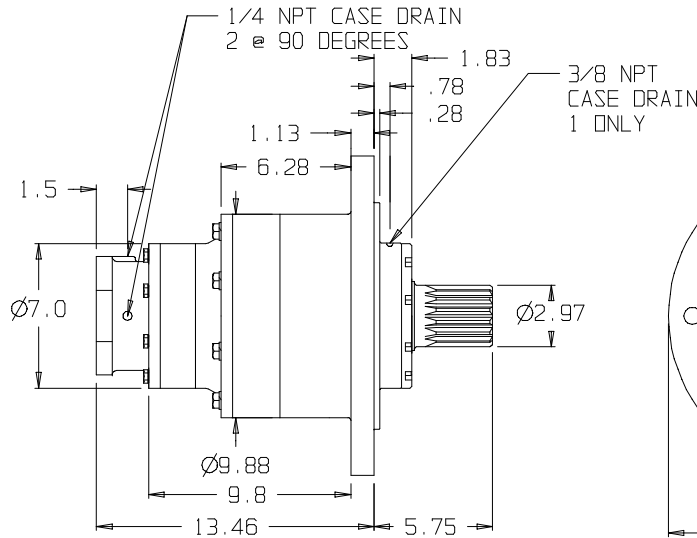
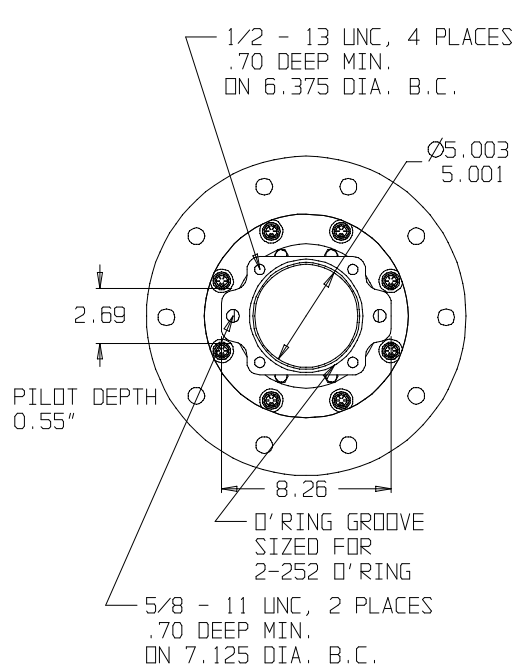


* RATIO DOES NOT CHANGE INSTALLATION DIMENSIONS

WWW.HECOGEAR.COM



SPLINE DATA

NO. TEETH	23
PITCH	8/16
P. D.	2.875
PRESSURE ANGLE	30°
TOOTH THKNS	MAX. EFF. .1947 (4.945) MAX. ACT. .1927 (4.895) MIN. ACT. .1913 (4.860)
PIN DIA.	2.400 (6.10)
MEAS. OVER TWO PINS	3.2340 (82.144) 3.2318 (82.09)
TYPE OF FIT	FLAT ROOT SIDE FIT
MINOR DIA.	2.650 (67.31) 2.632 (66.85)
TIF DIA.	2.7442 (69.703)

©COPYRIGHT 2002, HECO GEAR, INC.

SUN GEARS- SUGGESTED MOTOR SHAFT LENGTHS			
SUN GEAR	SHAFT TYPE	MIN. (IN.)	MAX. (IN.)
16B	7/8" 13T SPLINE	1.40	1.75
16C	1" 15T SPLINE	1.70	1.95
16D	1" ST. KEYED	1.80	2.10
16E	C/L 2000 BEARINGLESS	N/A	N/A
16F	C/L 4000 BEARINGLESS	N/A	N/A
16H	1 1/4" ST. KEYED	2.05	2.40
16I	1 1/4" 14T SPLINE	2.00	2.32
16M	1" SAE 6B SPLINE	1.95	2.30

REV	DESCRIPTION	DATE	APPROVED
---	---	---	---
---	---	---	---
---	---	---	---
---	---	---	---

THIS DRAWING CONTAINS PROPRIETARY AND CONFIDENTIAL INFORMATION OF HECO GEAR, INC. IN ACCEPTING THIS DRAWING, (CUSTOMER) ACKNOWLEDGES THE VALUE OF THE INTELLECTUAL PROPERTY CONTAINED HEREIN AND AGREES THAT THE INFORMATION IN THIS DRAWING IS THE PROPERTY OF AND PROPRIETARY TO HECO GEAR, INC. AND MAY NOT BE REPRODUCED WITHOUT THE EXPRESS WRITTEN PERMISSION OF HECO GEAR, INC. ALL RIGHTS RESERVED.



2360 DEL MONTE STREET
WEST SACRAMENTO, CA 95811
(916)-372-5411 FAX (916)-373-0552

TITLE MODEL 20 ASSEMBLY	REV ---
DESCRIPTION HECO 20 MODEL CODE: 25DFF4 6 31*	DATE 04/19/01
SCALE EQ NOT SCALE	SHEET 1 OF 1
SIZE D	REV ---
DRAWN BY KSC	DWG NO. D01012R-