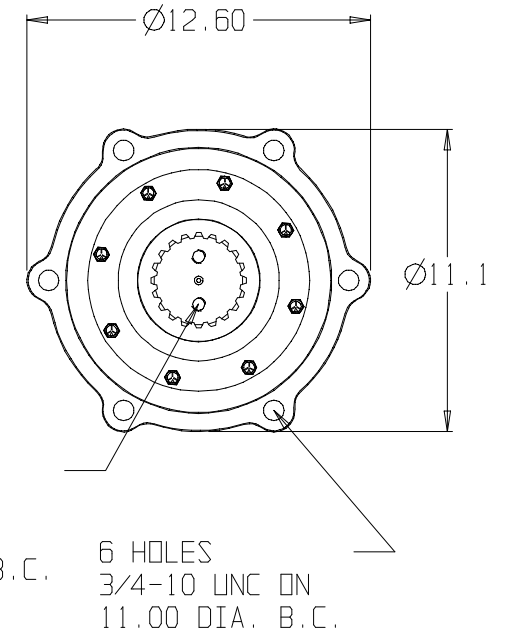
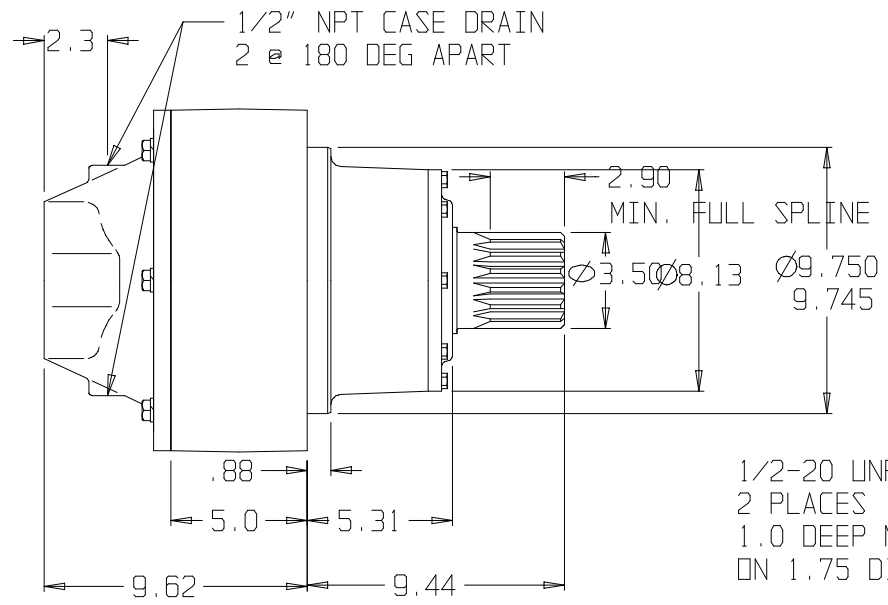


1/2-13 UNC 4 PL
1.0 DEEP MIN
ON 6.375 DIA. B.C.

SAE C
2 & 4 BOLT

O'RING GROOVE
SIZED FOR
2-252 O'RING

5/8-11 UNC, 2 PL
1.0 DEEP MIN
ON 7.125 DIA. B.C.



Spline Data

NO. TEETH	20		
PITCH	6/12		
PITCH DIA.	3.3333	⊙ A	.002
PRESSURE ANGLE	30°		
TOOTH THKNS	MAX. EFF.	.2602 (6.609)	
	MAX. ACT.	.2583 (6.561)	
	MIN. ACT.	.2569 (6.525)	
PIN DIA.	.3200 (8.1280)		
MEAS. OVER 2 PINS, MAX.	3.8222 (97.084)		
	MIN.	3.8201 (97.031)	
TIF DIA. MAX.	3.1600 (80.264)		
MINOR DIA.	MAX.	3.1293 (79.484)	
	MIN.	3.1073 (78.925)	
TYPE OF FIT	FLAT ROOT SIDE FIT		

©COPYRIGHT 2002, HECO GEAR, INC.

REV	DESCRIPTION	DATE	APPROVED
---	---	---	---
---	---	---	---
---	---	---	---
---	---	---	---

THIS DRAWING CONTAINS PROPRIETARY AND CONFIDENTIAL INFORMATION OF HECO GEAR, INC. IN ACCEPTING THIS DRAWING, (CUSTOMER) ACKNOWLEDGES THE VALUE OF THE INTELLECTUAL PROPERTY CONTAINED HEREIN AND AGREES THAT THE INFORMATION IN THIS DRAWING IS THE PROPERTY OF AND PROPRIETARY TO HECO GEAR, INC. AND MAY NOT BE REPRODUCED WITHOUT THE EXPRESS WRITTEN PERMISSION OF HECO GEAR, INC. ALL RIGHTS RESERVED.



TITLE MODEL 50 ASSEMBLY			
DESCRIPTION HECO MODEL 50 CODE: 50 CF 4 6 6			
SIZE D	DRAWN BY: KSC	DWG NO. ----	REV --
SCALE: DO NOT SCALE		DATE: 02/06/02	SHEET 1 OF 1