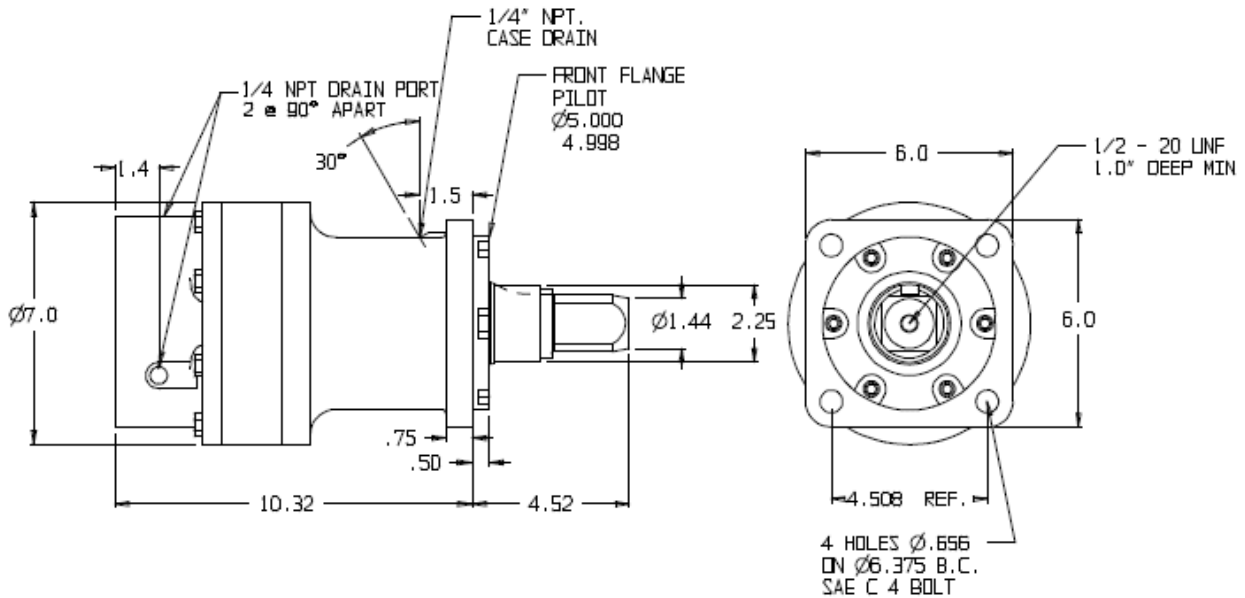




**HECO GEAR**

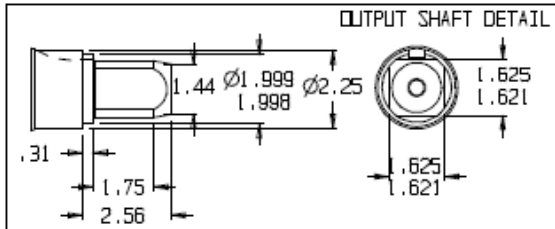
www.hecogear.com 916.372.5411

# 16DFF81 Marketing Sheet



### Flange and Shaft

Code	Description
16DFF	Model 16 Double Reduction Front Flange Mount
81	1.625" Square Shaft Shaft



### Performance Data

Torque	in-lbs	ft-lbs	Nm
Continuous	30,000 in-lbs	2,500 ft-lbs	3,390 Nm
Intermittent	45,000 in-lbs	3,750 ft-lbs	5,085 Nm
Peak	60,000 in-lbs	5,000 ft-lbs	6,780 Nm
Radial Load	20,000 lbs		
Approximate Weight	0 lbs		
Maximum Speed	Ratio 27	Output rpm 85	Input rpm 2300

\* Maximum life in high torque applications will be achieved at lower output speeds. Conversely, maximum life in high speed applications will be achieved at lower output torques.

### Motor Adapter Options

Code	Description
0	SAE B 4.00" Pilot 4 Bolt
4	SAE A 3.25" Pilot 2&4 Bolt
5	SAE B 4.00" Pilot 2 Bolt
6	SAE C 5.00" Pilot 2&4 Bolt

### Ratio Options

Code	Description
27	27.04 : 1 Double reduction

### Order Information and Model Code

16DFF	81				
Flange	Shaft	Motor Adapter	Ratio	Design Code	Special Options

### Sungear (Input Motor Shaft) Options

Code	Description
16B	7/8" 13T Spline 16/32 DP (1.40" to 1.75" shaft length)
16D	1" Straight Keyed (1.80" to 2.10" shaft length)
16H	1-1/4" Straight Keyed (2.05" to 2.40" shaft length)
16I	1-1/4" 14T Spline 12/24 DP (2.00" to 2.32" shaft length)
16M	1" SAE 6B Spline (1.95" to 2.30" shaft length)
16E	Charlynn 2000 Bearingless
16F	Charlynn 4000 Bearingless
16S	Danfoss OMSS
16-4000-H	1-1/4" Straight Keyed for Charlynn Standard 4000 Motor
16-4000-I	1-1/4" 14T Spline 12/24 DP for Charlynn Standard 4000 Motor

### Radial Load Chart

**Shaft Load vs. Load Position  
18,000,000 Revolution L<sub>10</sub> Life  
85W-140 Gear Oil**

