

6 HOLES  
3/4-10 UNC DN  
11.00 DIA. B.C.

### Flange and Shaft

Code	Description
50CF	Model 50 Center Flange Mount
1	3.875" Straight Keyed Shaft

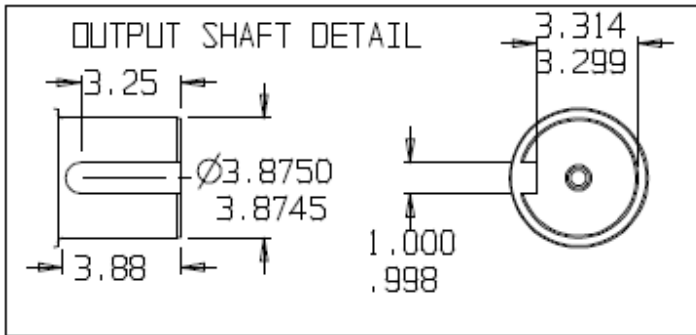
### Performance Data

Torque	in-lbs	ft-lbs	Nm
Continuous	140,000 in-lbs	11,665 ft-lbs	15,820 Nm
Intermittent	160,000 in-lbs	13,330 ft-lbs	18,080 Nm
Peak	180,000 in-lbs	15,000 ft-lbs	20,335 Nm

Radial Load	40,000 lbs
Approximate Weight	215 lbs

Maximum Speed	Ratio	Output rpm	Input rpm
	6	300	1800

\* Maximum life in high torque applications will be achieved at lower output speeds. Conversely, maximum life in high speed applications will be achieved at lower output torques.



### Radial Load Chart

### Motor Adapter Options

Code	Description
6	SAE C 5.00" Pilot 2&4 Bolt
7	SAE D 6.00" Pilot 4 Bolt

### Ratio Options

Code	Description
6	6.0 : 1 Single Reduction

### Order Information and Model Code

50CF	1				
Flange	Shaft	Motor Adapter	Ratio	Design Code	Special Options

### Sungear (Input Motor Shaft) Options

Code	Description
50I	1-1/4" 14T Spline 12/24 DP
50K	1-3/4" 13T Spline 8/16 DP
50L	1-1/2" 17T Spline 12/24 DP
50G	Charlynn 6000 Bearingless
50J	Charlynn 10000 Bearingless