

6 HOLES
3/4-10 UNC DN
11.00 DIA. B.C.

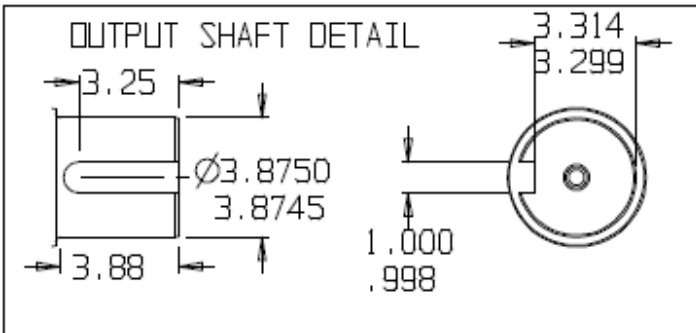
Flange and Shaft

Code	Description
52DCF	Model 52 Double Reduction Center Flange Mount
1	3.875" Straight Keyed Shaft Shaft

Performance Data

Torque	in-lbs	ft-lbs	Nm
Continuous	140,000 in-lbs	11,665 ft-lbs	15,820 Nm
Intermittent	160,000 in-lbs	13,330 ft-lbs	18,080 Nm
Peak	180,000 in-lbs	15,000 ft-lbs	20,335 Nm
Radial Load			40,000 lbs
Approximate Weight			275 lbs
Maximum Speed	Ratio	Output rpm	Input rpm
	36	40	1500

* Maximum life in high torque applications will be achieved at lower output speeds. Conversely, maximum life in high speed applications will be achieved at lower output torques.



Motor Adapter Options

Code	Description
6	SAE C 5.00" Pilot 2&4 Bolt
2	SAE A 3.25" Pilot 4 Bolt
7	SAE D 6.00" Pilot 2&4 Bolt

Ratio Options

Code	Description
29	28.8 : 1 Double Reduction
36	36.0 : 1 Double Reduction

Order Information and Model Code

52DCF	1				
Flange	Shaft	-	Motor Adapter	-	Ratio - Design Code - Special Options

Sungear (Input Motor Shaft) Options

Code	Description
20F6	6.0:1 Ratio Charlynn 4000 Bearingless
20G4	4.8:1 Ratio Charlynn 6000 Bearingless
20G6	6.0:1 Ratio Charlynn 6000 Bearingless
2014	4.8:1 Ratio 1-1/4" - 14T Spline 12/24 DP
2016	6.0:1 Ratio 1-1/4" - 14T Spline 12/24 DP
20F4	4.8:1 Ratio Charlynn 4000 Bearingless
25L4	4.8:1 Ratio 1-1/2" - 17T Spline 12/24 DP
25L6	6.0:1 Ratio 1-1/2" - 17T Spline 12/24 DP
25K6	6.0:1 Ratio 1-3/4" - 13T Spline 8/164 DP
25L	Spacer for Charlynn 6000 & VIS Standard Motors

Radial Load Chart